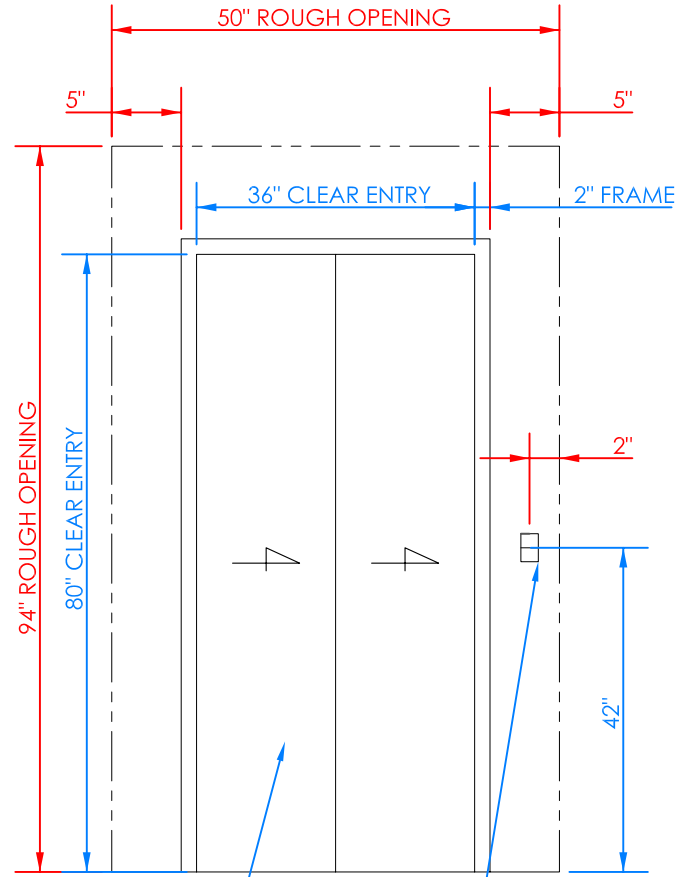


!WARNING!
SPACE BETWEEN DOOR AND HOISTWAY
MUST NOT EXCEED 3"

INTERLOCKS CONFORMING TO ASME A17.1
MUST BE INSTALLED AND ADJUSTED PER
THE MANUFACTURER'S INSTRUCTIONS.

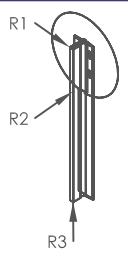
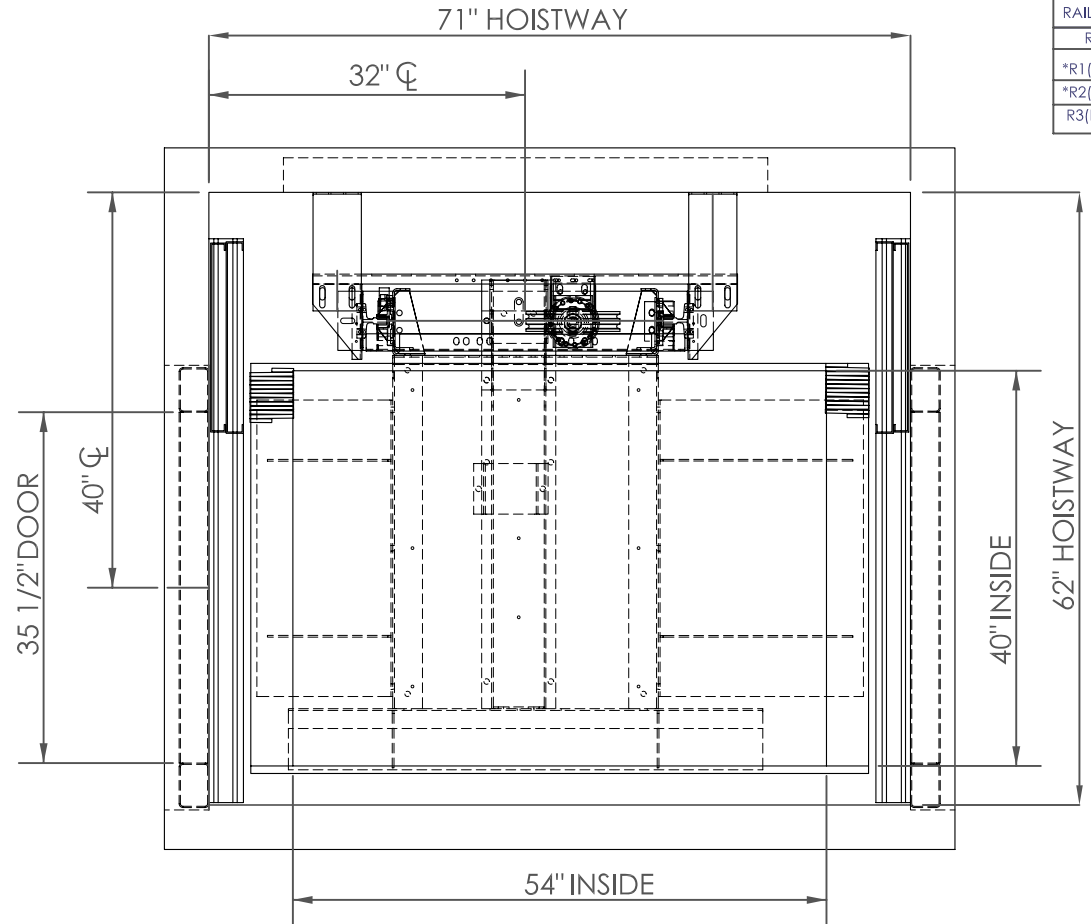
**!FAILURE TO COMPLY
MAY RESULT IN SERIOUS
INJURY OR DEATH!**

NOTE:
LEAVE ROUGH OPENING MIN
14" WIDER & 14" HIGHER THAN
CLEAR OPENING, AS SHOWN.



2 SPD SIDESLIDE
ENTRANCE

2 1/4" WIDE X 3 3/4" HIGH
3" DEEP CUTOUT ON
ALL FLOORS FOR CALL
BUTTON BOX



RAIL WEIGHT: 8 lbs/ft	
RAIL FORCES	
*R1(Fx)	1075 lbs
*R2(Fy)	358 lbs
R3(Fz)	2500 lbs

SIZE	Nationwide Lifts www.elevators.com	
A	P: 888-695-4387	E: info@elevators.com
PART NO. 40 X 54, 2		
SHEET 1 OF 3		
DESCRIPTION: SLIDING DOORS, HYDRO		

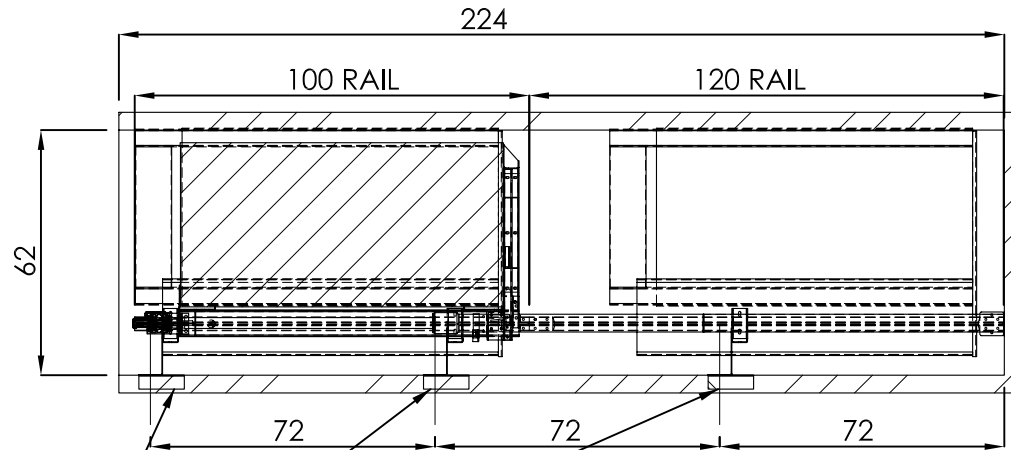
5

4

3

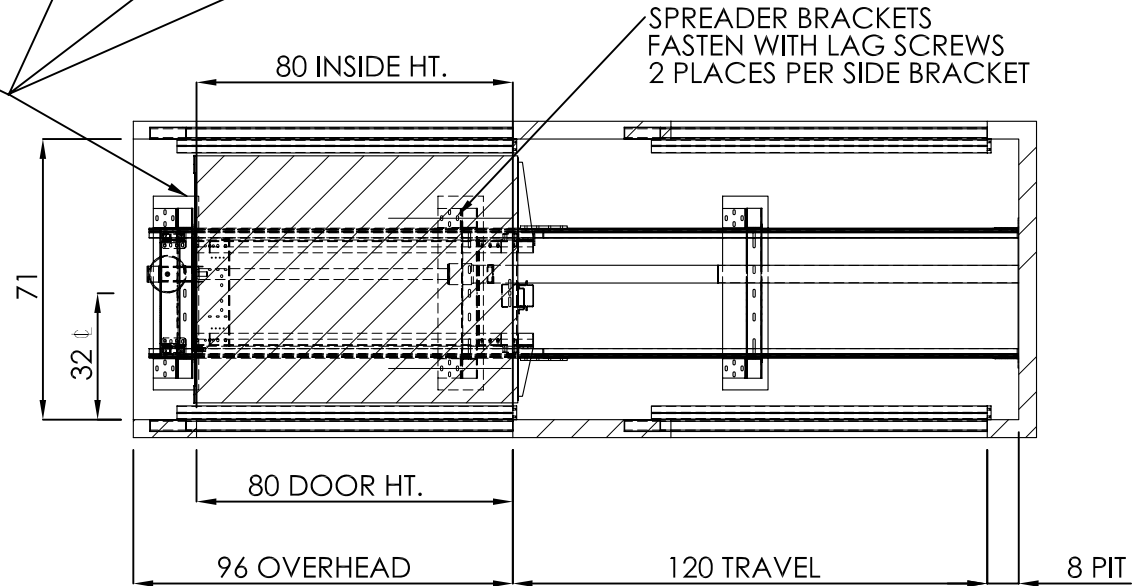
2


1

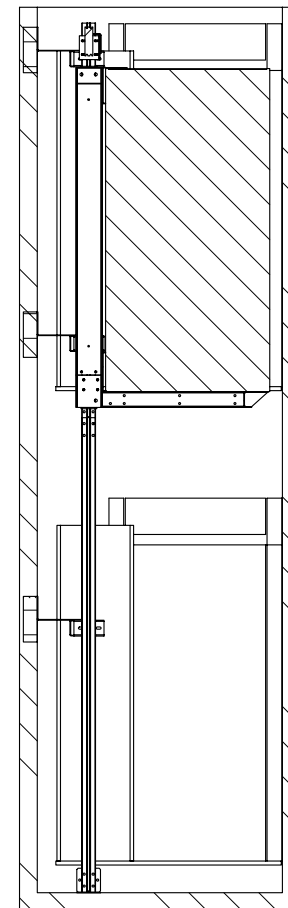
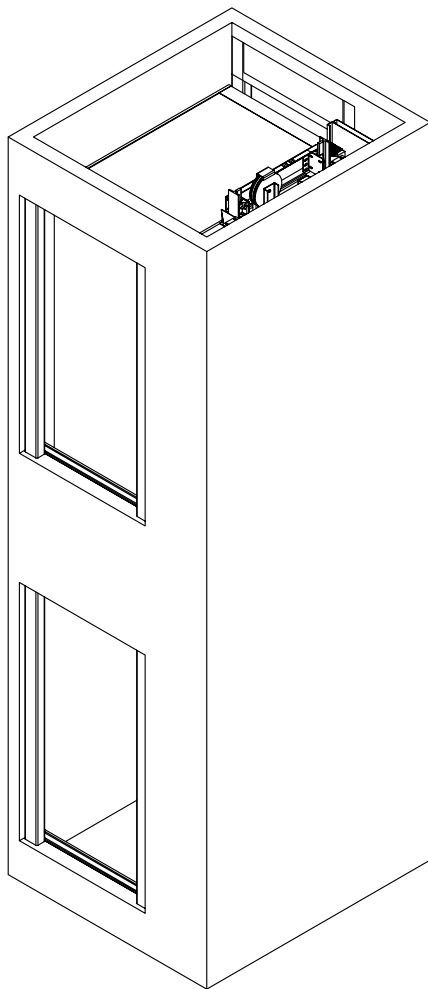
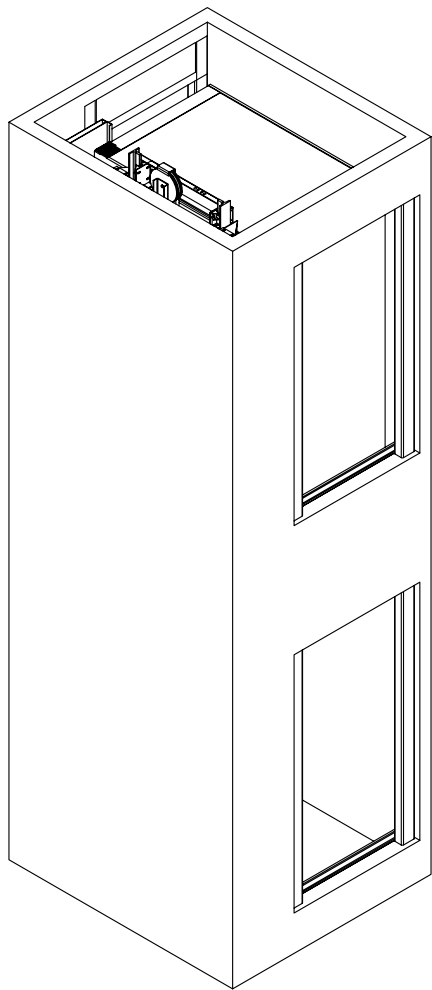


BRACKET LOCATIONS MAY VARY
ACORDING TO TRAVEL

PROVIDE WALL CONSTRUCTION
SUITABLE FOR ATTACHMENT OF
RAIL BRACKETS AT SHOWN ELEVATION.
MUST BE CAPABLE OF 300LB PULLOUT
LOADING WITH MAX DEFLECTION OF 1/8"



SIZE	 www.elevators.com P: 888-695-4387 E: info@elevators.com
A	
PART NO.	40 X 54, 2
SHEET 2 OF 3	
DESCRIPTION: SLIDING DOORS, HYDRO	



5




4

3

2

1

SIZE	 Nationwide Lifts www.elevators.com
A	
PART NO.	
40 X 54, 2	
SHEET 3 OF 3	
DESCRIPTION: SLIDING DOORS, HYDRO	