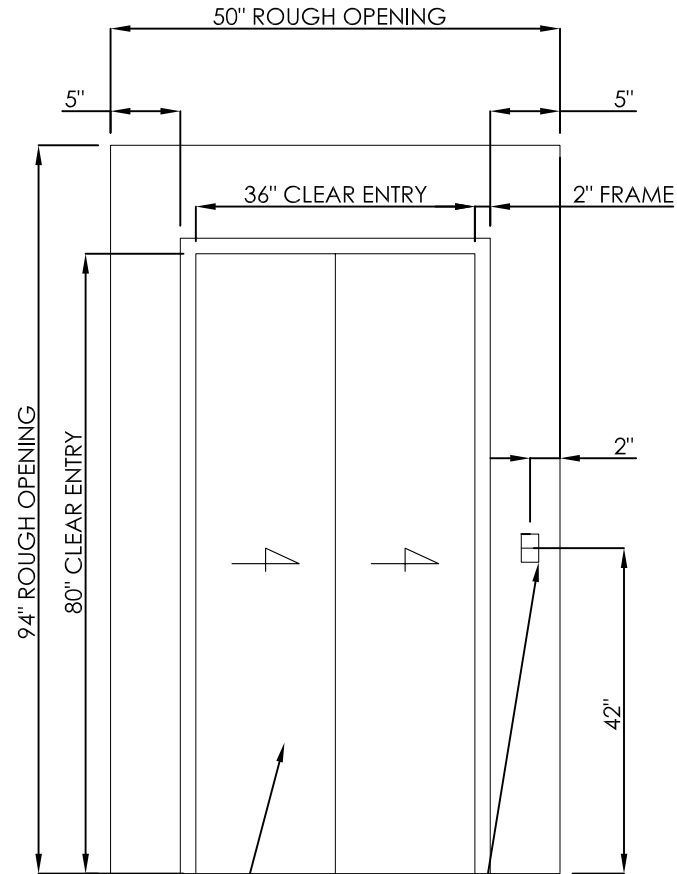


**!WARNING!**  
SPACE BETWEEN DOOR AND HOISTWAY  
MUST NOT EXCEED 3"!

INTERLOCKS CONFORMING TO ASME A17.1  
MUST BE INSTALLED AND ADJUSTED PER  
THE MANUFACTURER'S INSTRUCTIONS.

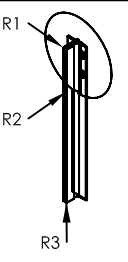
**!FAILURE TO COMPLY  
MAY RESULT IN SERIOUS  
INJURY OR DEATH!**

NOTE:  
LEAVE ROUGH OPENING MIN  
14" WIDER & 14" HIGHER THAN  
CLEAR OPENING, AS SHOWN.



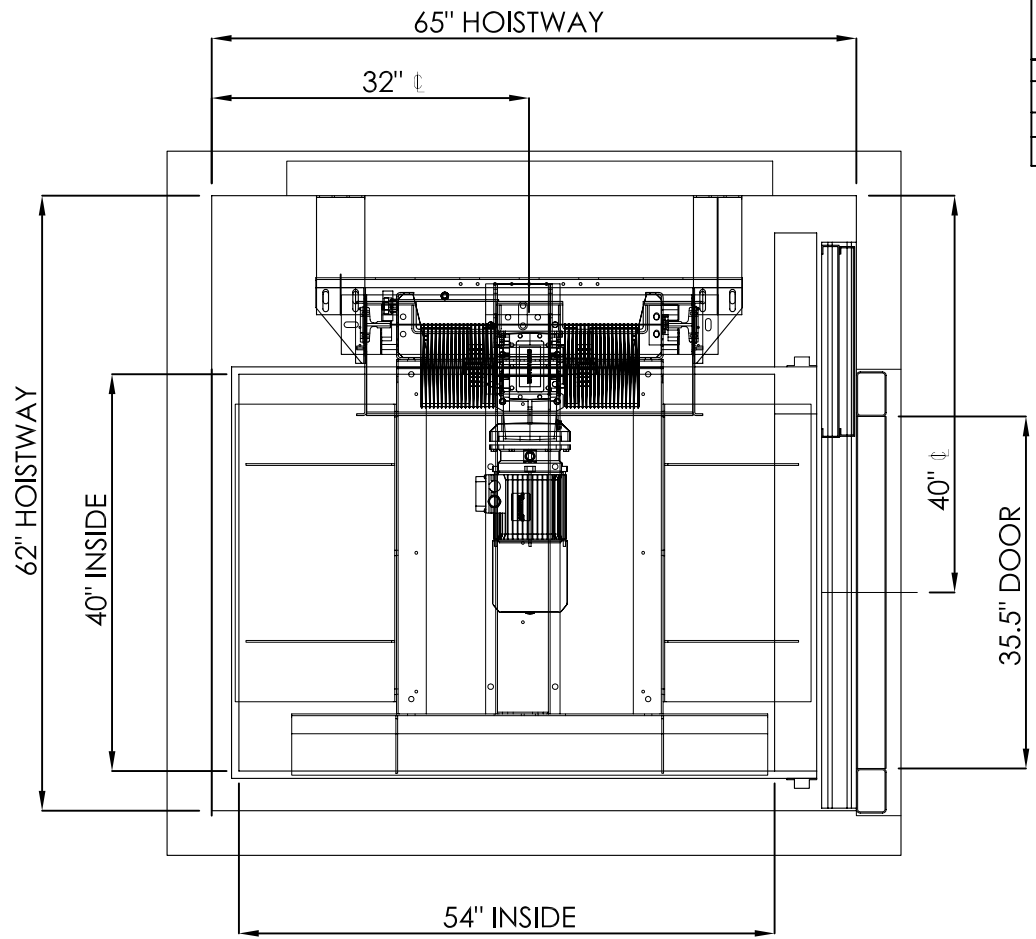
2 SPD SIDESLIDE  
ENTRANCE


2 1/4" WIDE X 3 3/4" HIGH  
3" DEEP CUTOUT ON  
ALL FLOORS FOR CALL  
BUTTON BOX

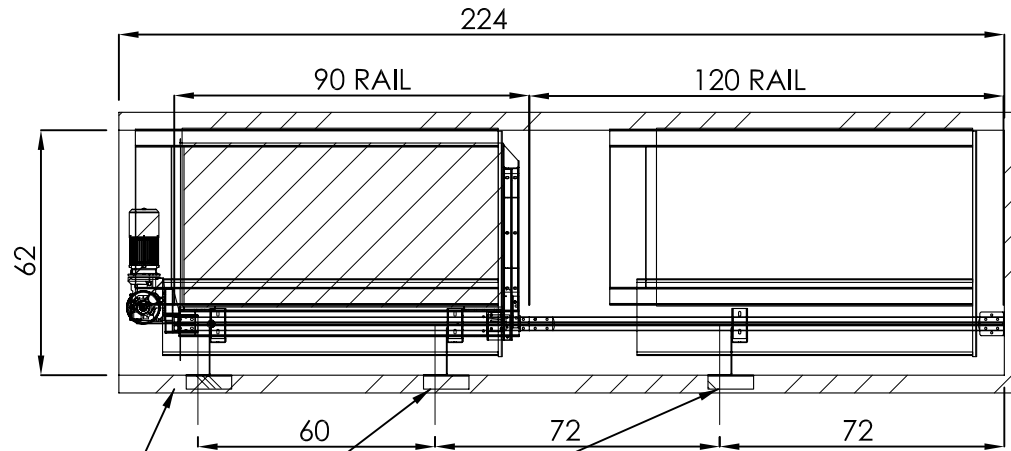


RAIL WEIGHT: 8 lbs/ft

RAIL FORCES	
*R1 (Fx)	1075 lbs
*R2 (Fy)	358 lbs
R3 (Fz)	2500 lbs



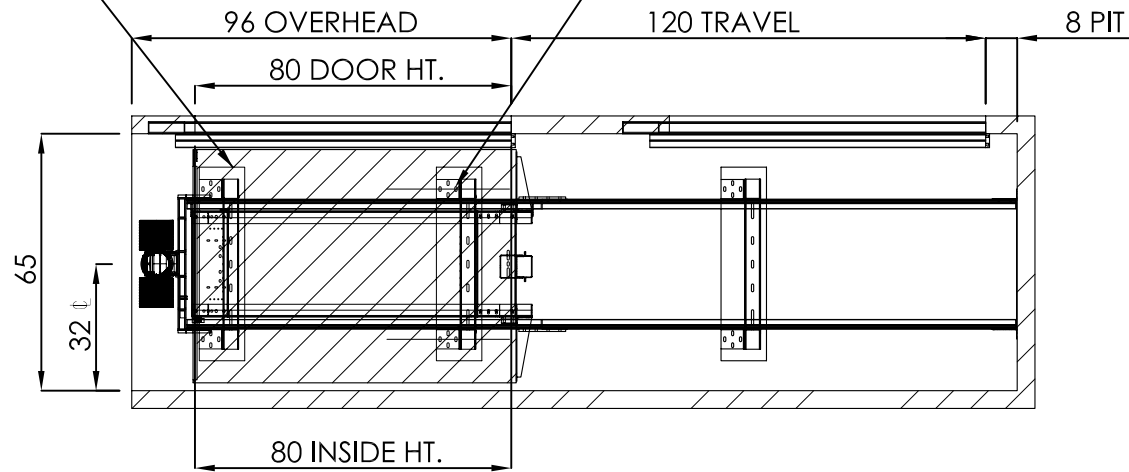
SIZE	 <a href="http://www.elevators.com">www.elevators.com</a> P: 888-695-4387 E: info@elevators.com	
<b>A</b>		
PART NO.	<b>40 X 54, 1R</b>	
DESCRIPTION:	SLIDING DOORS, OVERHEAD DRUM	




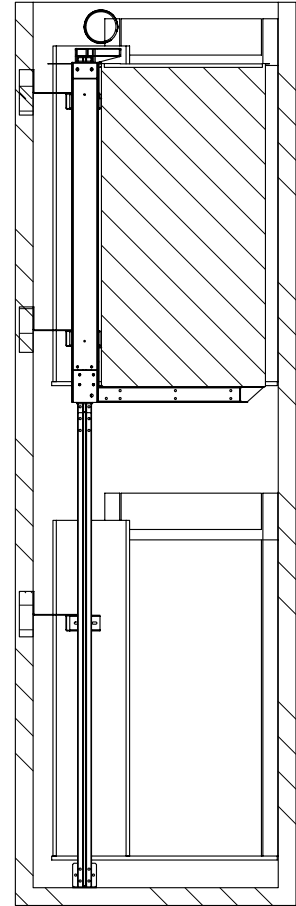
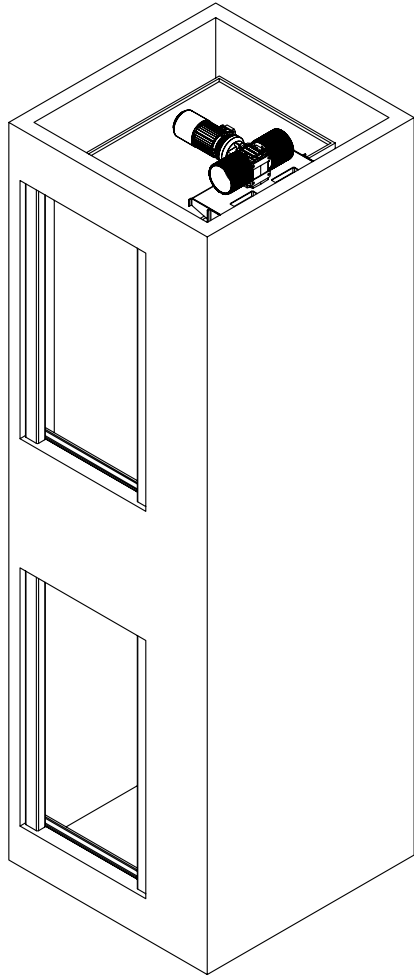
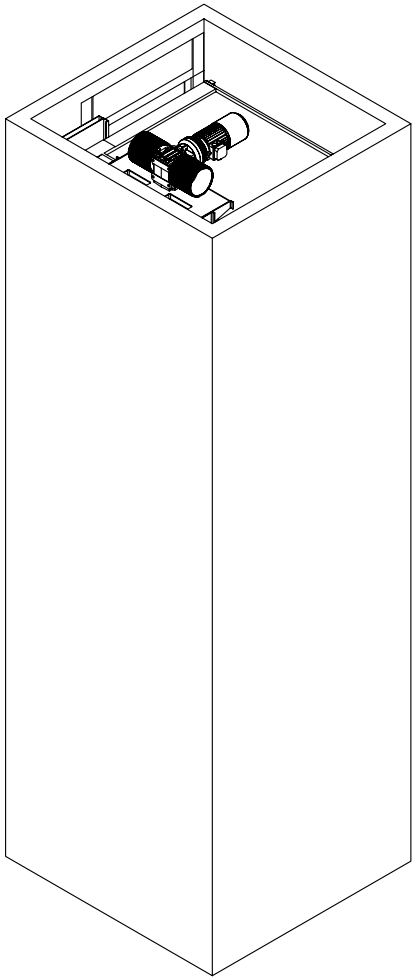
BRACKET LOCATIONS MAY VARY  
ACORDING TO TRAVEL

PROVIDE WALL CONSTRUCTION  
SUITABLE FOR ATTACHMENT OF  
RAIL BRACKETS AT SHOWN ELEVATION.  
MUST BE CAPABLE OF 300LB PULLOUT  
LOADING WITH MAX DEFLECTION OF 1/8".

SPREADER BRACKETS  
FASTEN WITH LAG SCREWS  
2 PLACES PER SIDE BRACKET



SIZE	 <b>Nationwide Lifts</b> <a href="http://www.elevators.com">www.elevators.com</a> P: 888-695-4387    E: info@elevators.com
<b>A</b>	
PART NO.	<b>40 X 54, 1R</b>
SHEET 2 OF 3	
DESCRIPTION: SLIDING DOORS, OVERHEAD DRUM	



SIZE

**A**

**Nationwide Lifts**  
www.elevators.com

P: 888-695-4387

E: info@elevators.com

PART NO.

**40 X 54, 1R**

SHEET 3 OF 3

DESCRIPTION:

SLIDING DOORS, OVERHEAD DRUM

5

4

3

2

1