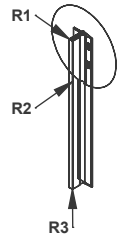
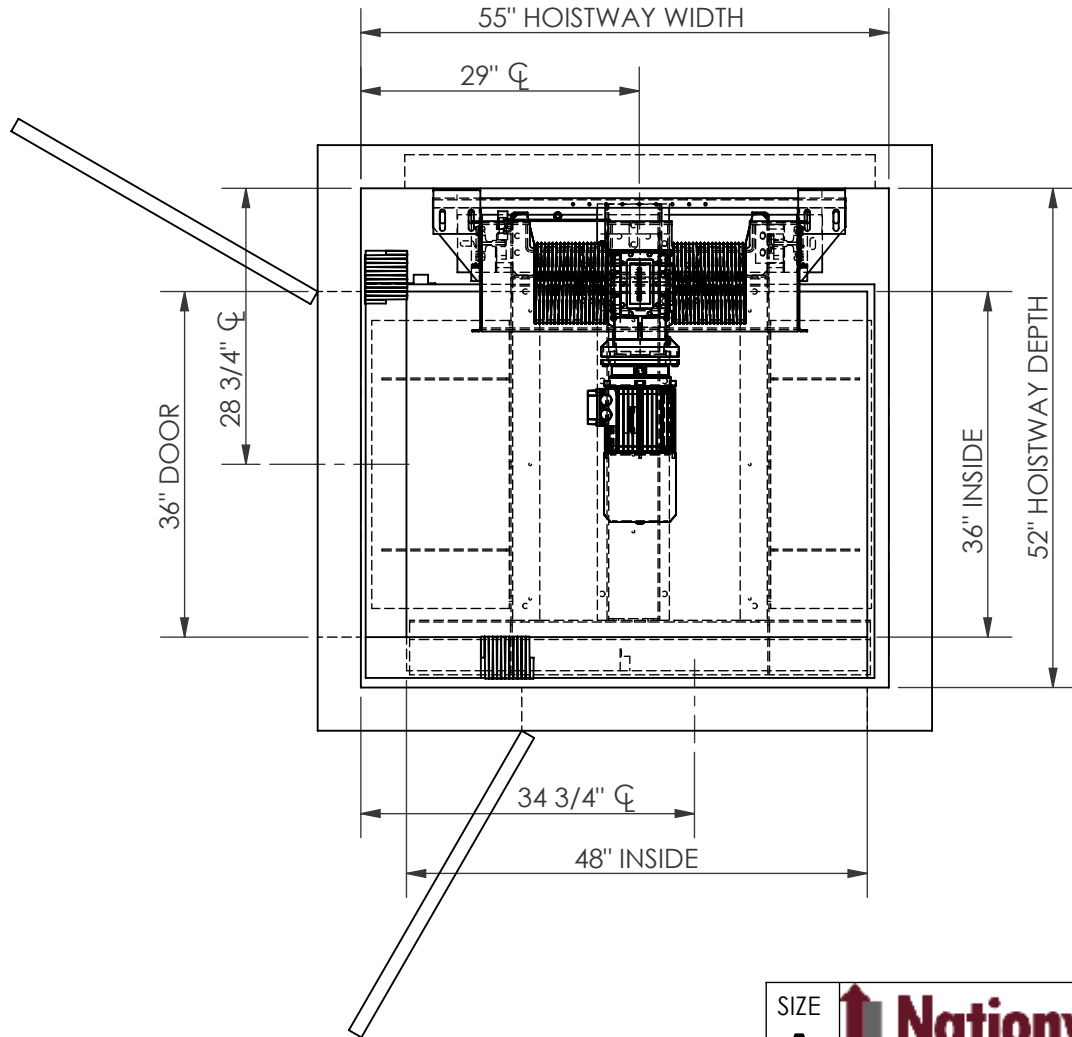
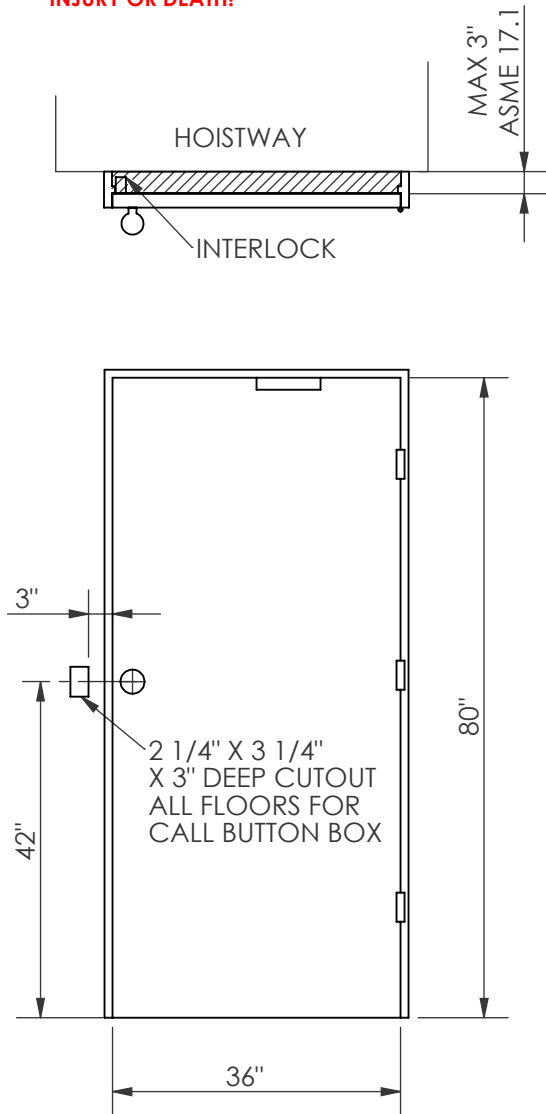


**!WARNING!**

SPACE BETWEEN DOOR AND HOISTWAY  
MUST NOT EXCEED 3"

INTERLOCKS CONFORMING TO ASME A17.1  
MUST BE INSTALLED AND ADJUSTED PER  
THE MANUFACTURER'S INSTRUCTIONS.

**!FAILURE TO COMPLY  
MAY RESULT IN SERIOUS  
INJURY OR DEATH!**



RAIL WEIGHT: 8 lbs/ft

RAIL FORCES

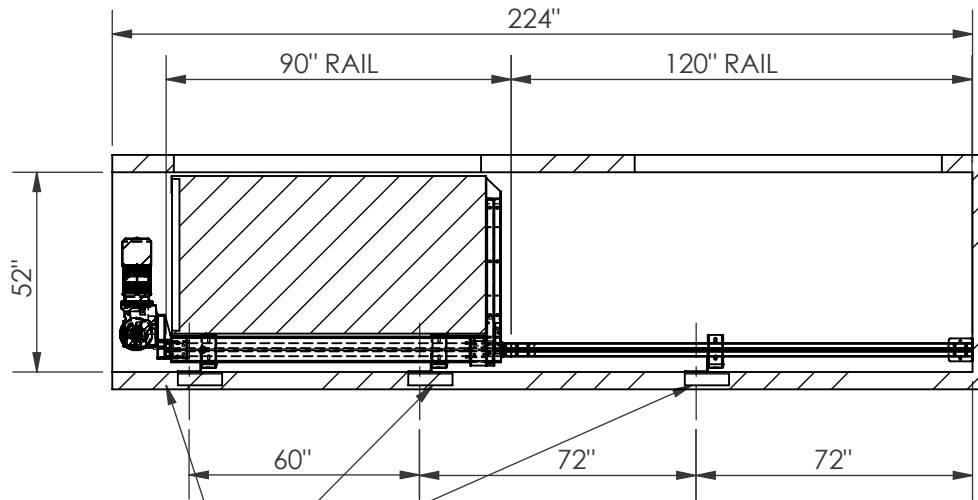
\*R1(Fx) 1075 lbs

\*R2(Fy) 358 lbs

R3(Fz) 2500 lbs

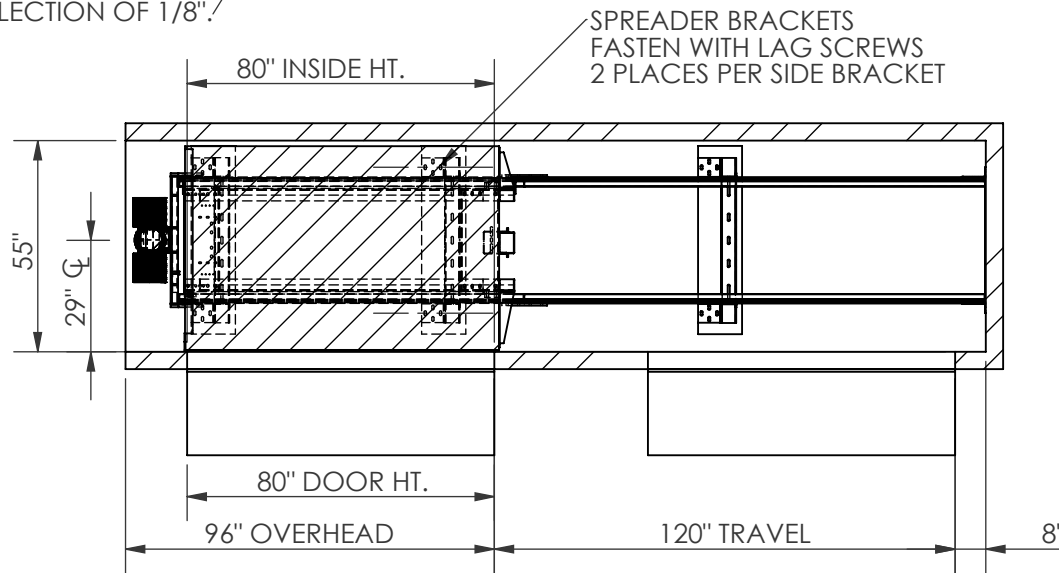
SIZE **A**  **Nationwide Lifts**  
America's *leader* in home elevators.

PART NO.  
**36 X 48, TYPE 4**  
SHEET 1 OF 3  
DESCRIPTION:  
SWING DOORS, OVERHEAD DRUM



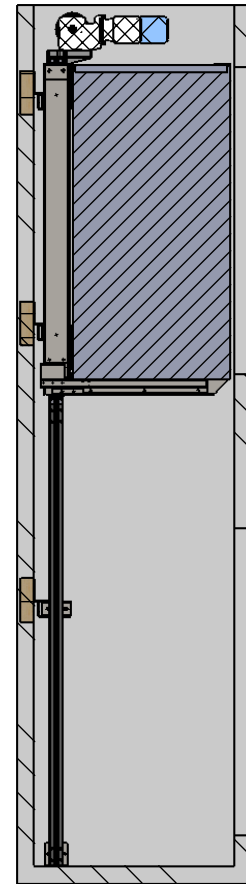
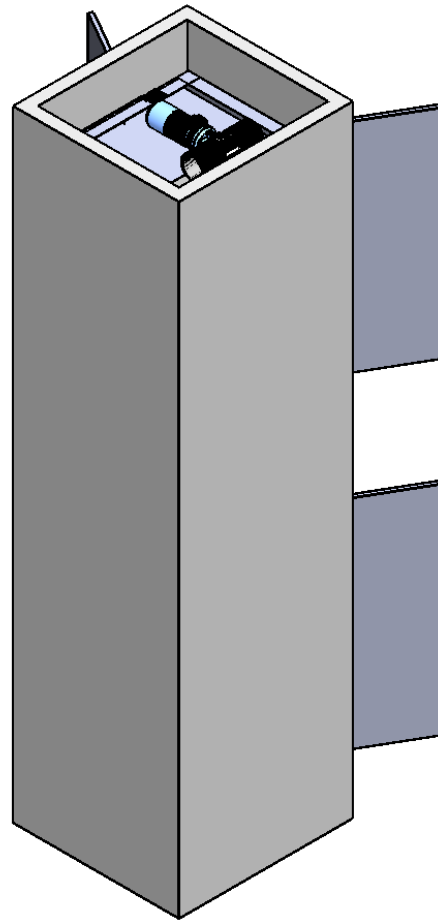
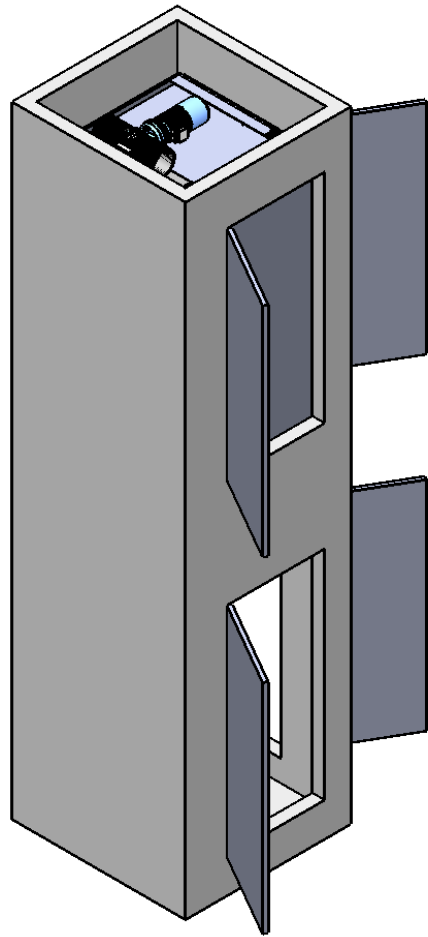
PROVIDE WALL CONSTRUCTION SUITABLE FOR ATTACHMENT OF RAIL BRACKETS AT SHOWN ELEVATION. MUST BE CAPABLE OF 300LB PULLOUT LOADING WITH MAX DEFLECTION OF 1/8".


BRACKET LOCATIONS MAY VARY ACORDING TO TRAVEL



SIZE **A**  **Nationwide Lifts**  
America's *leader* in home elevators.

PART NO.  
**36 X 48, TYPE 4**  
SHEET 2 OF 3  
DESCRIPTION:  
SWING DOORS, OVERHEAD DRUM



SIZE	 <b>Nationwide Lifts</b> <i>America's leader in home elevators.</i>
<b>A</b>	
PART NO.	36 X 48, TYPE 4
	SHEET 3 OF 3
DESCRIPTION:	SWING DOORS, OVERHEAD DRUM

5

↑

4

3

2

1