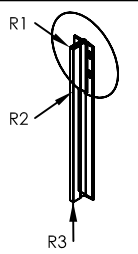
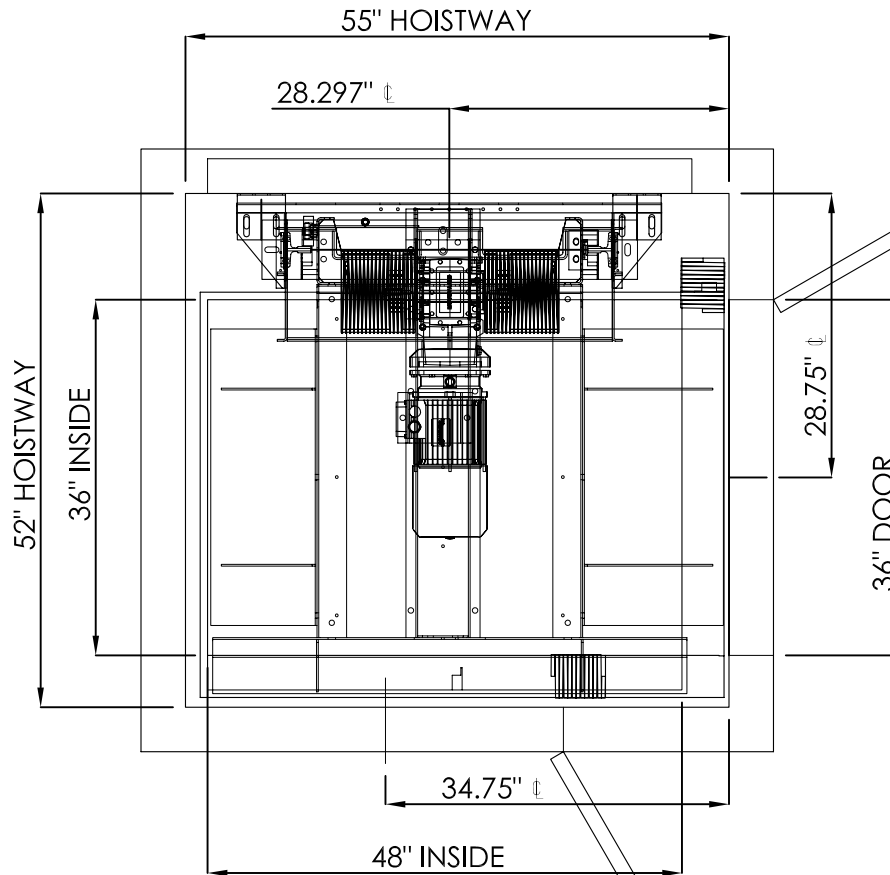
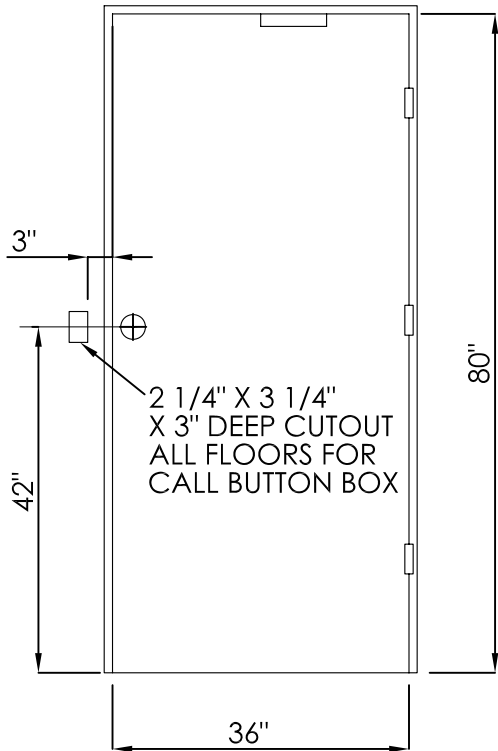
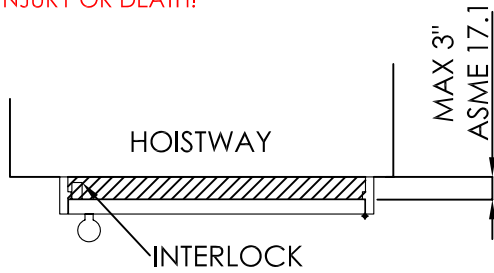


!WARNING!
 SPACE BETWEEN DOOR AND HOISTWAY
 MUST NOT EXCEED 3"

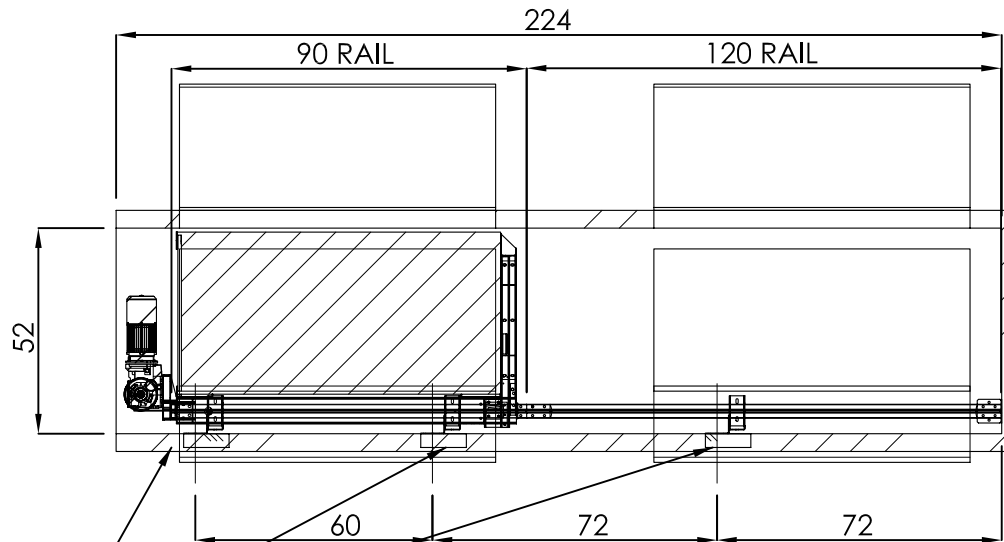
INTERLOCKS CONFORMING TO ASME A17.1
 MUST BE INSTALLED AND ADJUSTED PER
 THE MANUFACTURER'S INSTRUCTIONS.

**!FAILURE TO COMPLY
 MAY RESULT IN SERIOUS
 INJURY OR DEATH!**



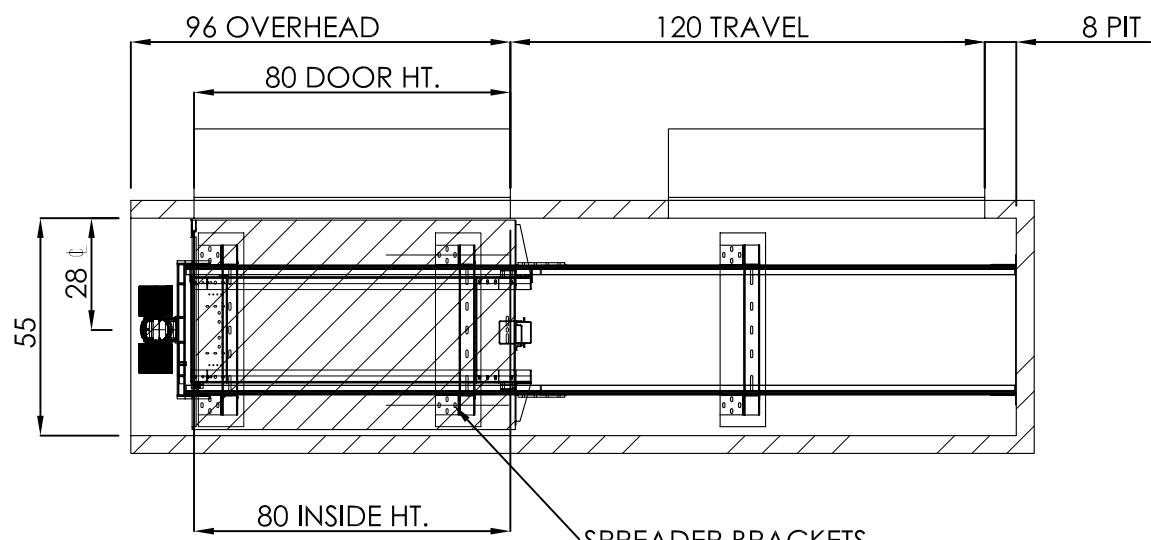
RAIL WEIGHT: 8 lbs/ft	
RAIL FORCES	
*R1(Fx)	1075 lbs
*R2(Fy)	358 lbs
R3(Fz)	2500 lbs

SIZE	Nationwide Lifts www.elevators.com
A	
PART NO.	P: 888-695-4387 E: info@elevators.com
36 X 48, TYPE 3	
SHEET 1 OF 3	
DESCRIPTION: SWING DOORS, OVERHEAD DRUM	




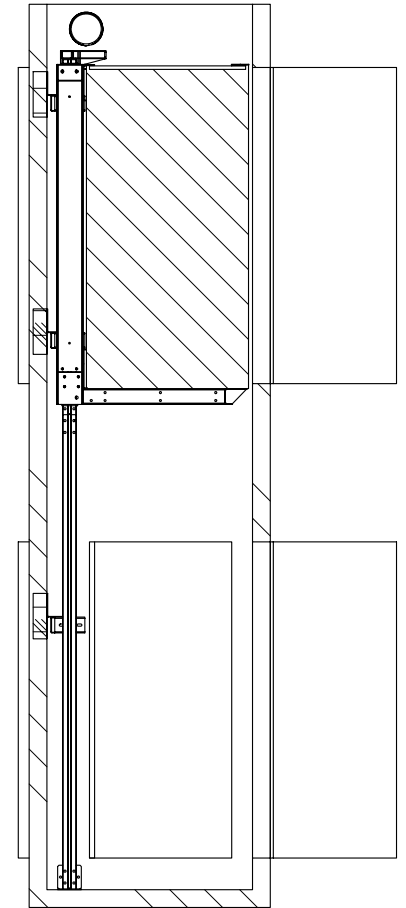
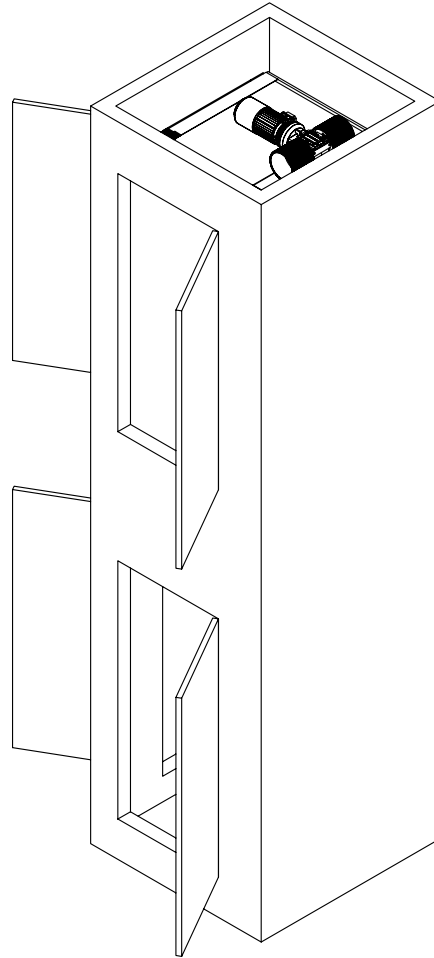
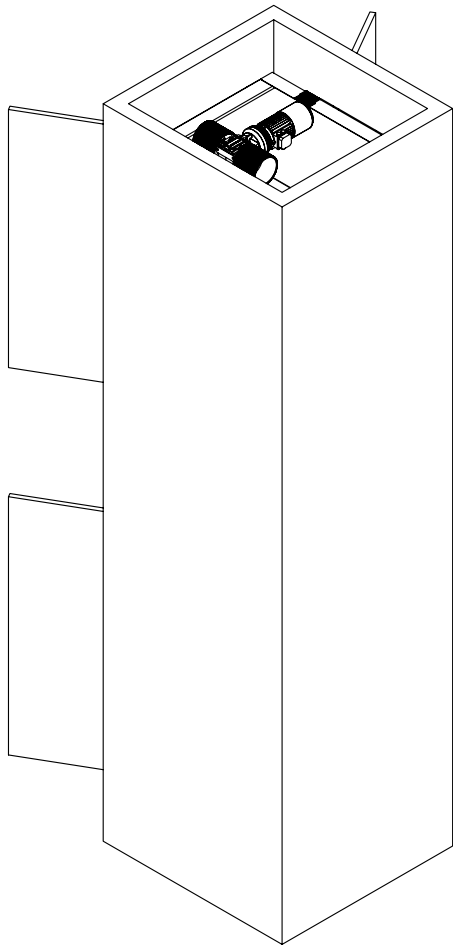
PROVIDE WALL CONSTRUCTION SUITABLE FOR ATTACHMENT OF RAIL BRACKETS AT SHOWN ELEVATION. MUST BE CAPABLE OF 300LB PULLOUT LOADING WITH MAX DEFLECTION OF 1/8".

BRACKET LOCATIONS MAY VARY ACORDING TO TRAVEL



SPREADER BRACKETS FASTEN WITH LAG SCREWS 2 PLACES PER SIDE BRACKET

SIZE	 www.elevators.com P: 888-695-4387 E: info@elevators.com
A	
PART NO.	36 X 48, TYPE 3
SHEET 2 OF 3	
DESCRIPTION: SWING DOORS, OVERHEAD DRUM	



SIZE

A

Nationwide Lifts
www.elevators.com

P: 888-695-4387

E: info@elevators.com

PART NO.

36 X 48, TYPE 3

SHEET 3 OF 3

DESCRIPTION:

SWING DOORS, OVERHEAD DRUM

5



4



3



2



1