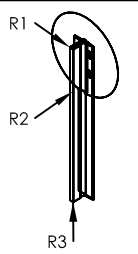
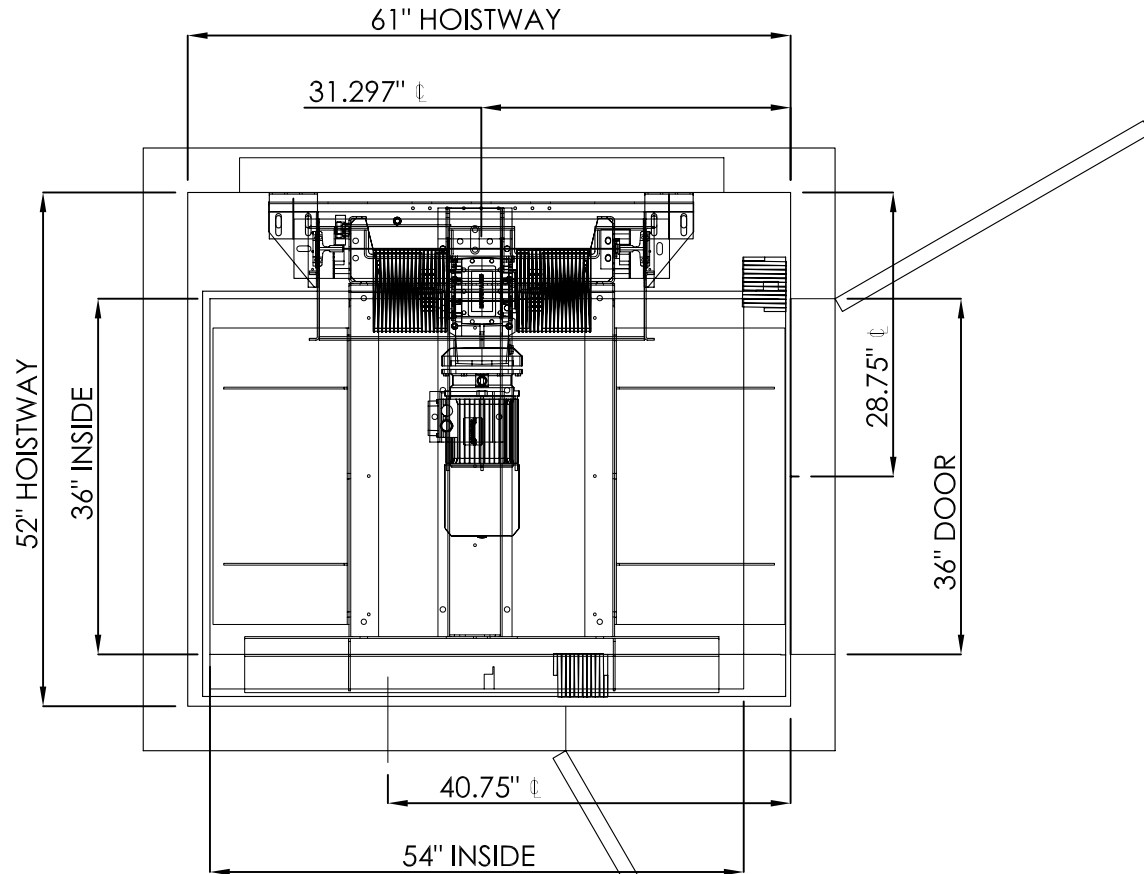
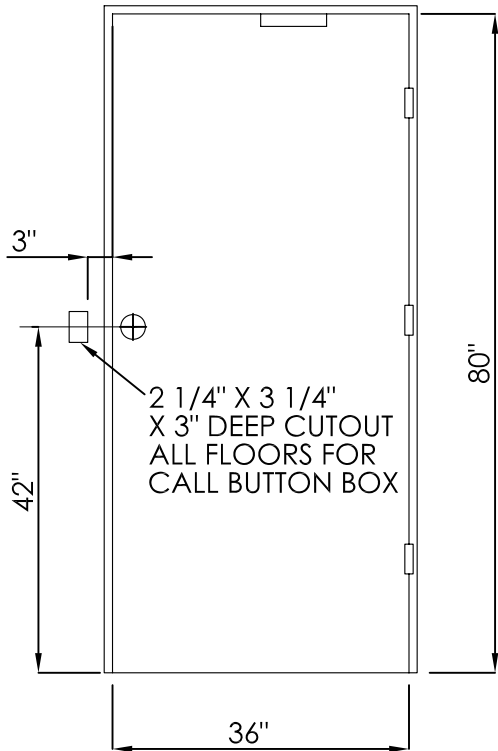
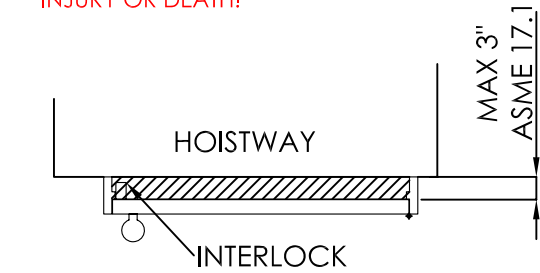


**!WARNING!**  
SPACE BETWEEN DOOR AND HOISTWAY  
MUST NOT EXCEED 3"

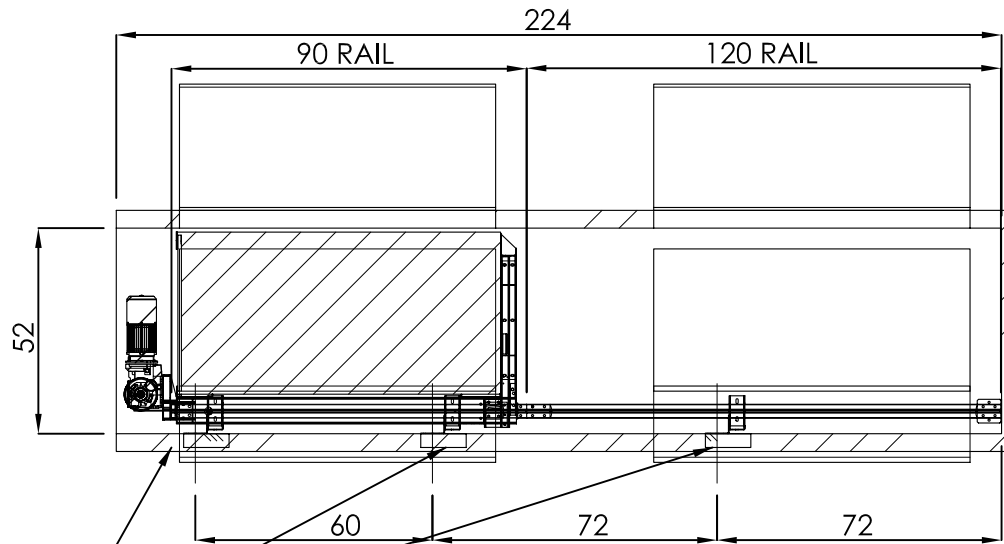
INTERLOCKS CONFORMING TO ASME A17.1  
MUST BE INSTALLED AND ADJUSTED PER  
THE MANUFACTURER'S INSTRUCTIONS.

**!FAILURE TO COMPLY  
MAY RESULT IN SERIOUS  
INJURY OR DEATH!**



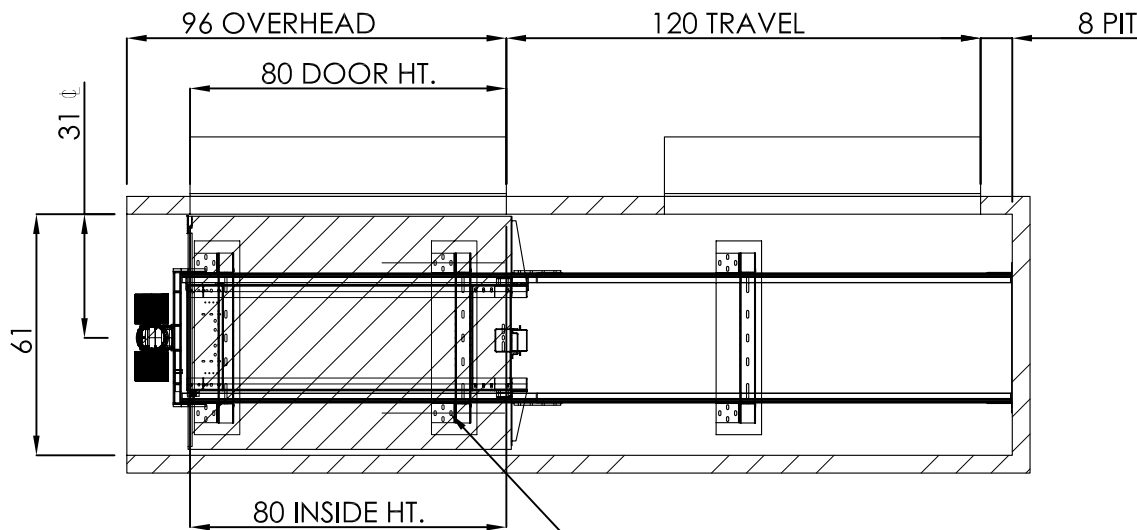
RAIL WEIGHT: 8 lbs/ft
RAIL FORCES
*R1 (Fx) 1075 lbs
*R2 (Fy) 358 lbs
R3 (Fz) 2500 lbs

SIZE	<b>Nationwide Lifts</b> www.elevators.com
<b>A</b>	
PART NO.	P: 888-695-4387 E: info@elevators.com
<b>36 X 54, TYPE 3</b>	
SHEET 1 OF 3	
DESCRIPTION: SWING DOORS, OVERHEAD DRUM	




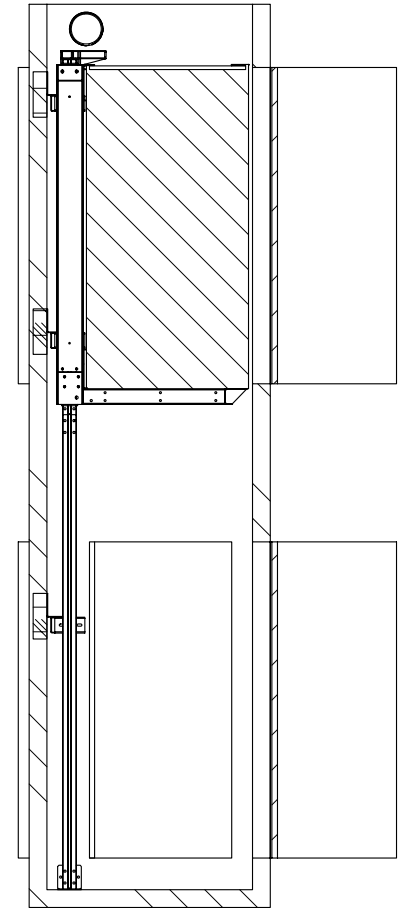
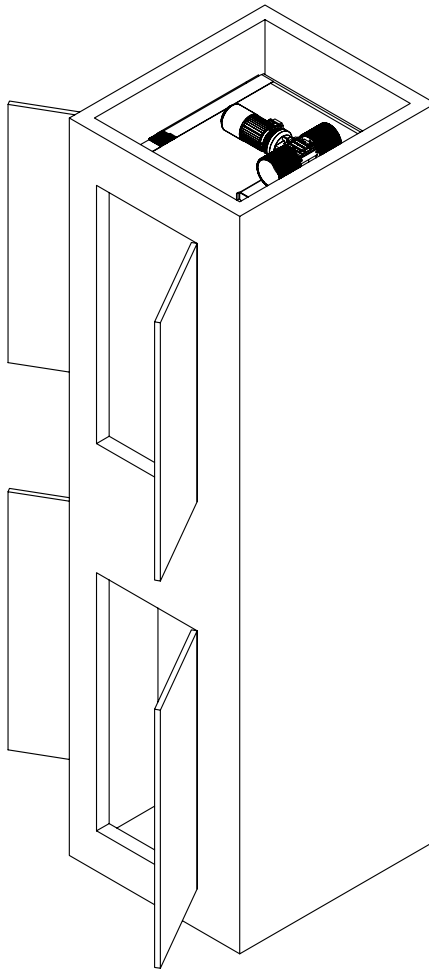
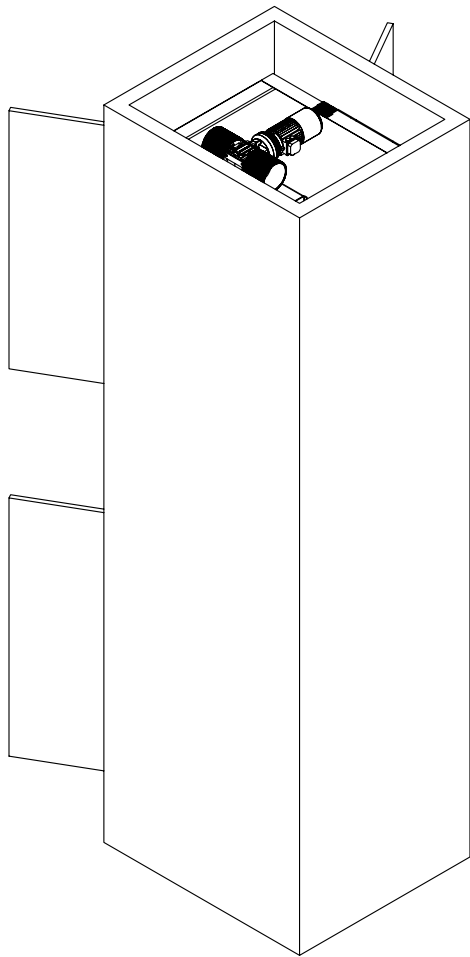
PROVIDE WALL CONSTRUCTION  
SUITABLE FOR ATTACHMENT OF  
RAIL BRACKETS AT SHOWN ELEVATION.  
MUST BE CAPABLE OF 300LB PULLOUT  
LOADING WITH MAX DEFLECTION OF 1/8".

BRACKET LOCATIONS MAY VARY  
ACCORDING TO TRAVEL



SPREADER BRACKETS  
FASTEN WITH LAG SCREWS  
2 PLACES PER SIDE BRACKET

SIZE <b>A</b>	 <b>Nationwide Lifts</b> <a href="http://www.elevators.com">www.elevators.com</a>	
	P: 888-695-4387	E: info@elevators.com
PART NO. <b>36 X 54, TYPE 3</b>		
SHEET 2 OF 3		
DESCRIPTION: <b>SWING DOORS, OVERHEAD DRUM</b>		



5



4




3



2



1

SIZE	 <a href="http://www.elevators.com">www.elevators.com</a> P: 888-695-4387    E: info@elevators.com
<b>A</b>	
PART NO.	
<b>36 X 54, TYPE 3</b>	
SHEET 3 OF 3	
DESCRIPTION:	
SWING DOORS, OVERHEAD DRUM	