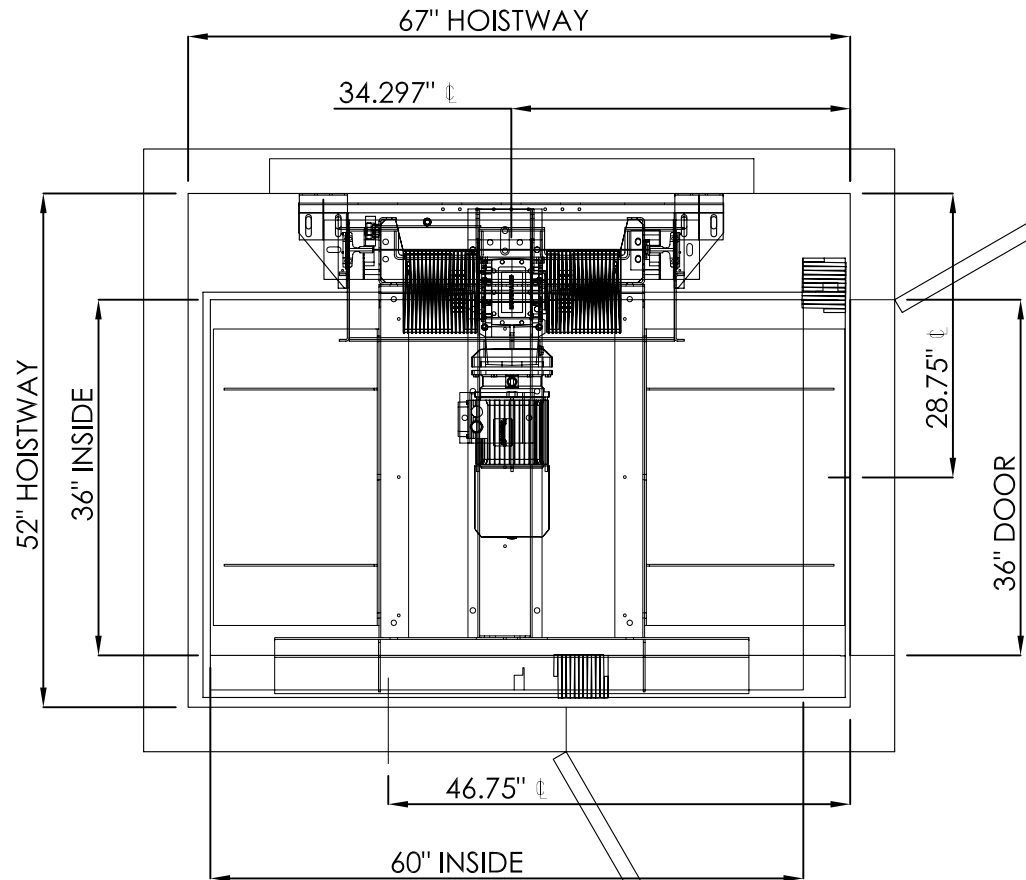
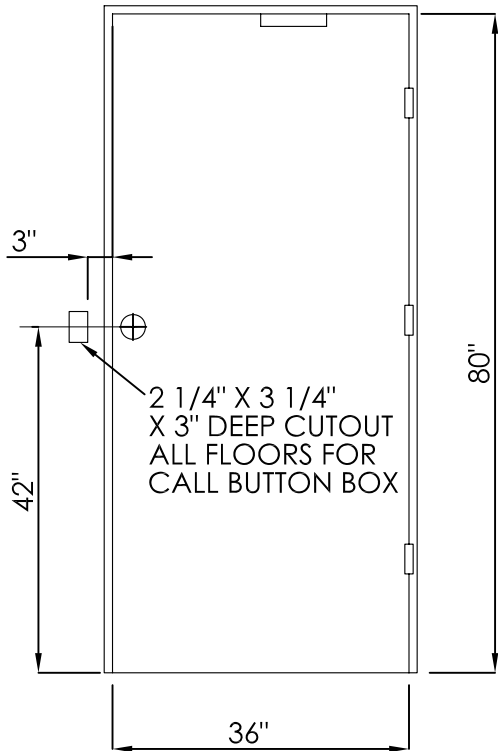
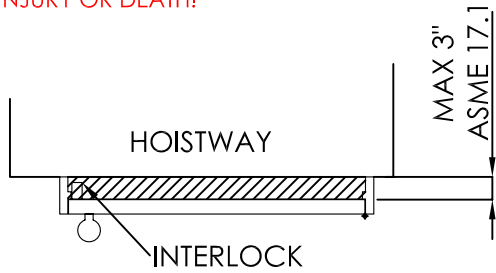


**!WARNING!**  
SPACE BETWEEN DOOR AND HOISTWAY  
MUST NOT EXCEED 3"

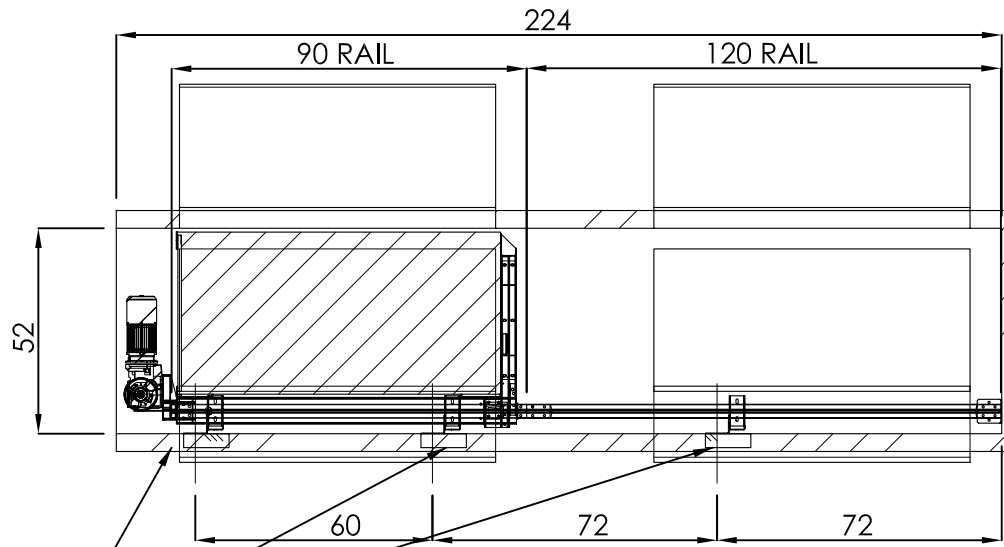
INTERLOCKS CONFORMING TO ASME A17.1  
MUST BE INSTALLED AND ADJUSTED PER  
THE MANUFACTURER'S INSTRUCTIONS.

**!FAILURE TO COMPLY  
MAY RESULT IN SERIOUS  
INJURY OR DEATH!**



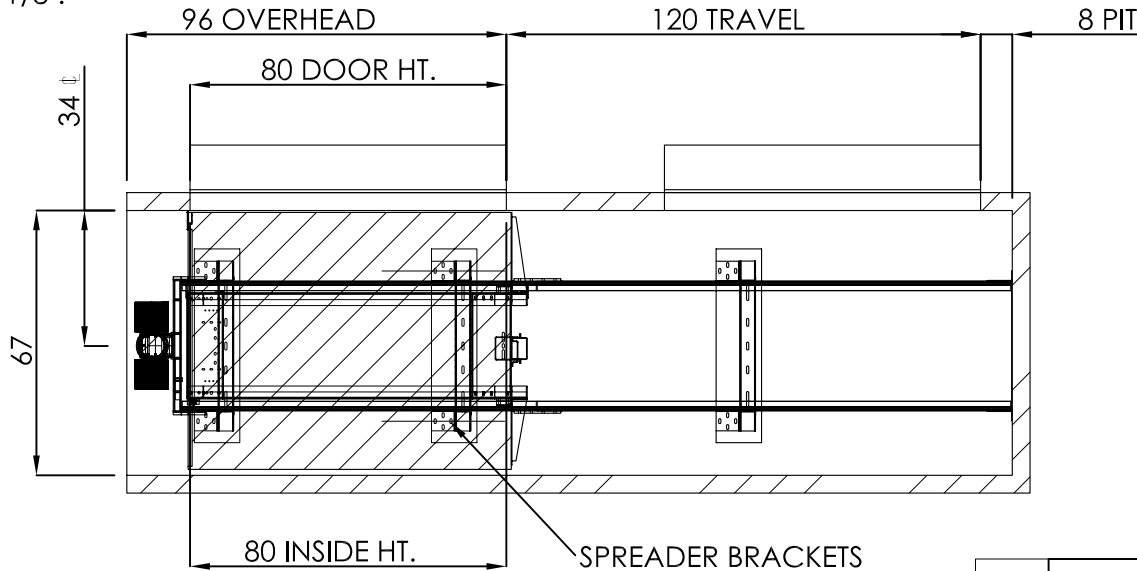
RAIL WEIGHT: 8 lbs/ft	
RAIL FORCES	
*R1(Fx)	1075 lbs
*R2(Fy)	358 lbs
R3(Fz)	2500 lbs

SIZE	<b>Nationwide Lifts</b> www.elevators.com
<b>A</b>	
PART NO.	P: 888-695-4387 E: info@elevators.com
<b>36 X 60, TYPE 3</b>	
SHEET 1 OF 3	
DESCRIPTION:	
<b>SWING DOORS, OVERHEAD DRUM</b>	




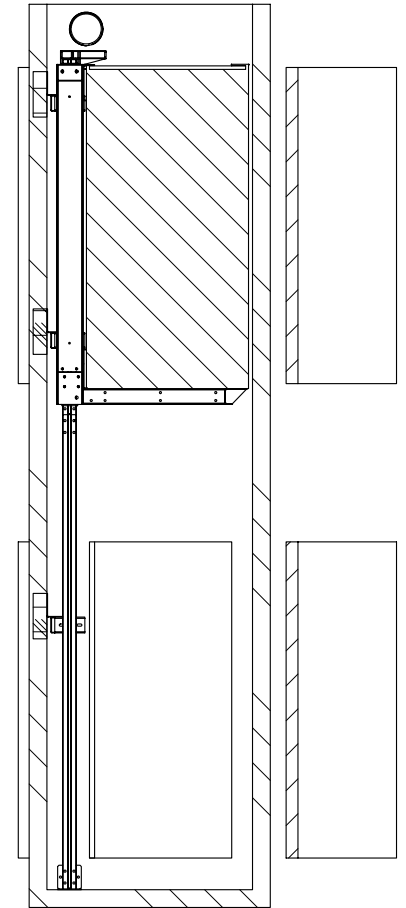
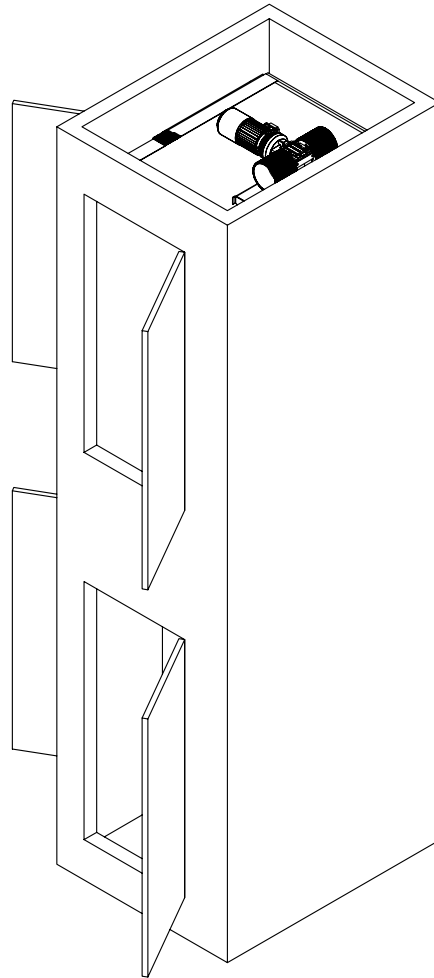
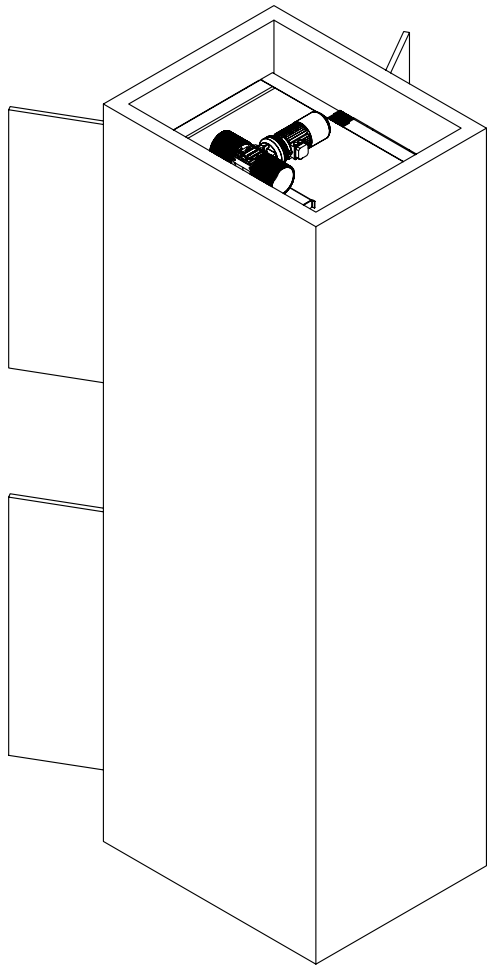
PROVIDE WALL CONSTRUCTION SUITABLE FOR ATTACHMENT OF RAIL BRACKETS AT SHOWN ELEVATION. MUST BE CAPABLE OF 300LB PULLOUT LOADING WITH MAX DEFLECTION OF 1/8".

BRACKET LOCATIONS MAY VARY ACORDING TO TRAVEL



SPREADER BRACKETS FASTEN WITH LAG SCREWS 2 PLACES PER SIDE BRACKET

SIZE	 <a href="http://www.elevators.com">www.elevators.com</a> P: 888-695-4387    E: info@elevators.com
<b>A</b>	
PART NO.	<b>36 X 60, TYPE 3</b>
SHEET 2 OF 3	
DESCRIPTION: SWING DOORS, OVERHEAD DRUM	



SIZE

**A**

**Nationwide Lifts**  
www.elevators.com

P: 888-695-4387

E: info@elevators.com

PART NO.

**36 X 60, TYPE 3**

SHEET 3 OF 3

DESCRIPTION:

SWING DOORS, OVERHEAD DRUM

5

4

3

2

1