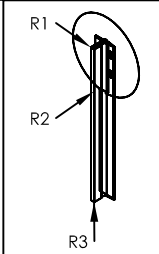
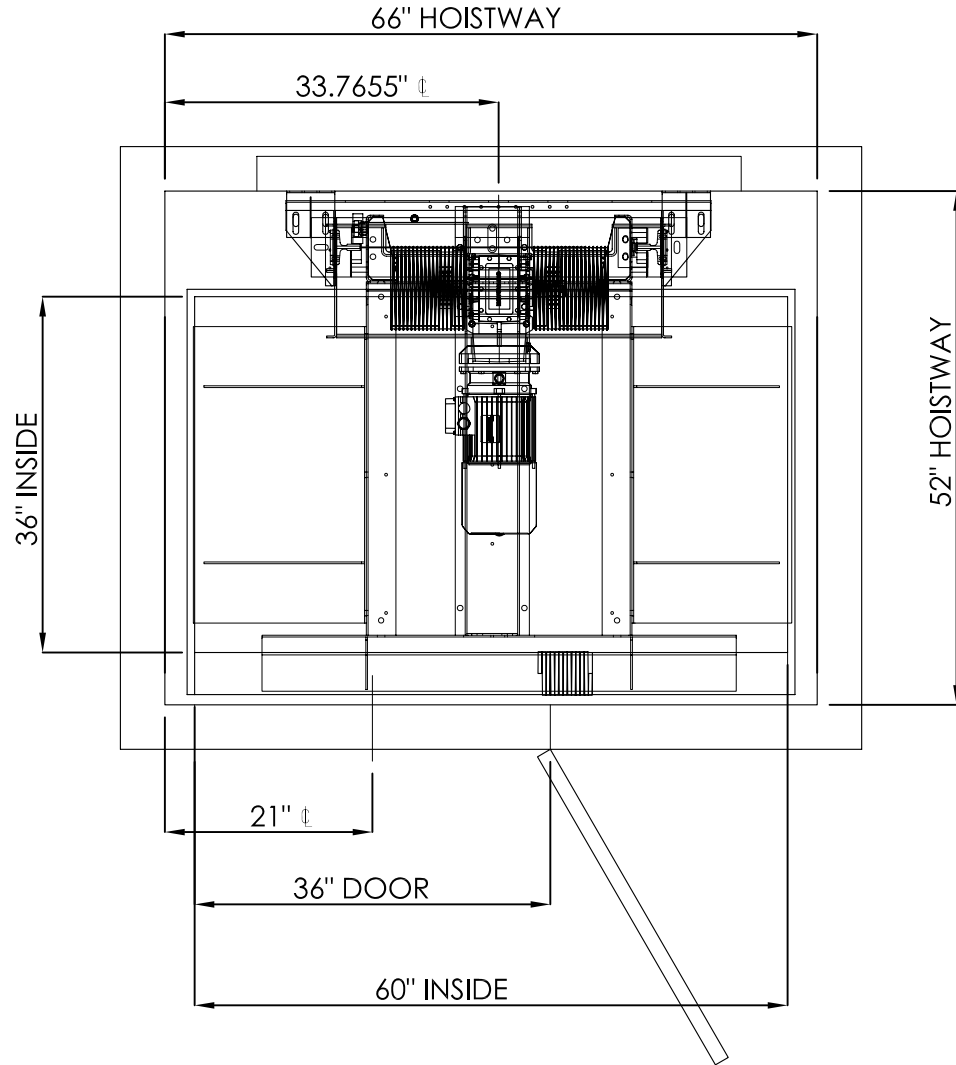
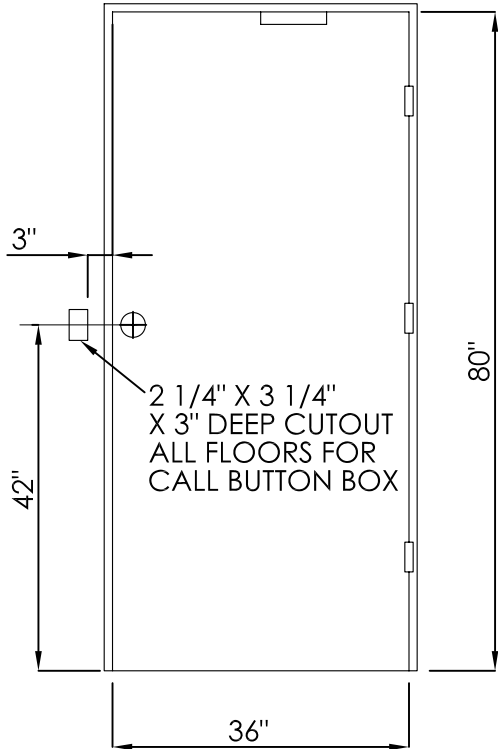
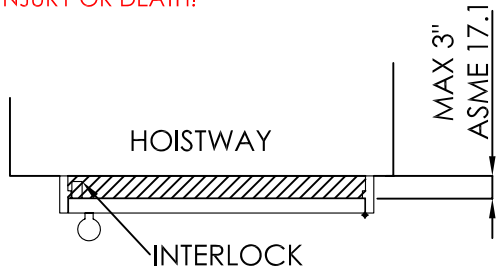


!WARNING!
SPACE BETWEEN DOOR AND HOISTWAY
MUST NOT EXCEED 3"

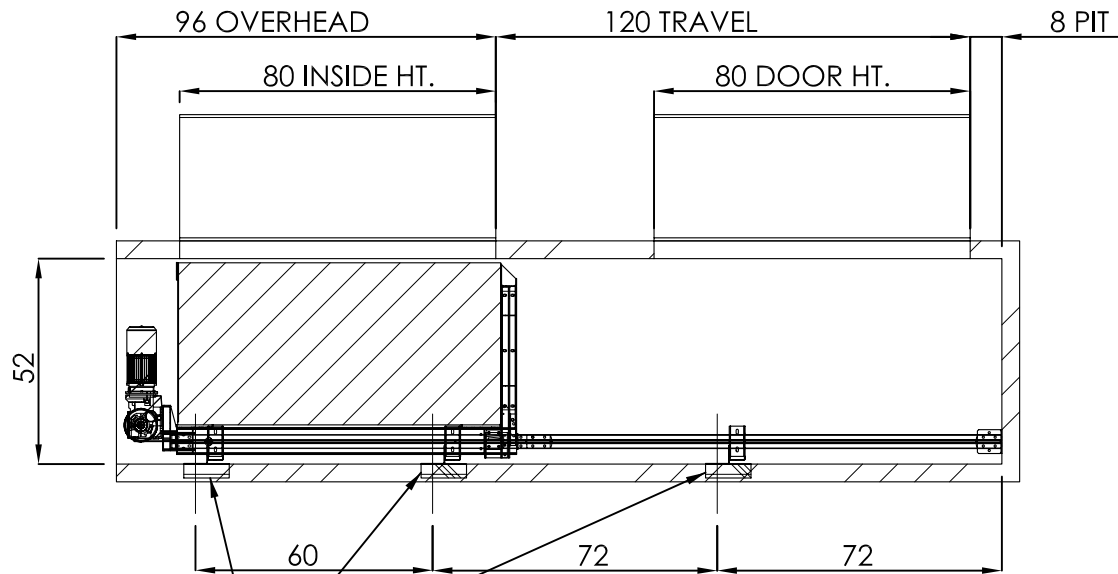
INTERLOCKS CONFORMING TO ASME A17.1
MUST BE INSTALLED AND ADJUSTED PER
THE MANUFACTURER'S INSTRUCTIONS.

**!FAILURE TO COMPLY
MAY RESULT IN SERIOUS
INJURY OR DEATH!**



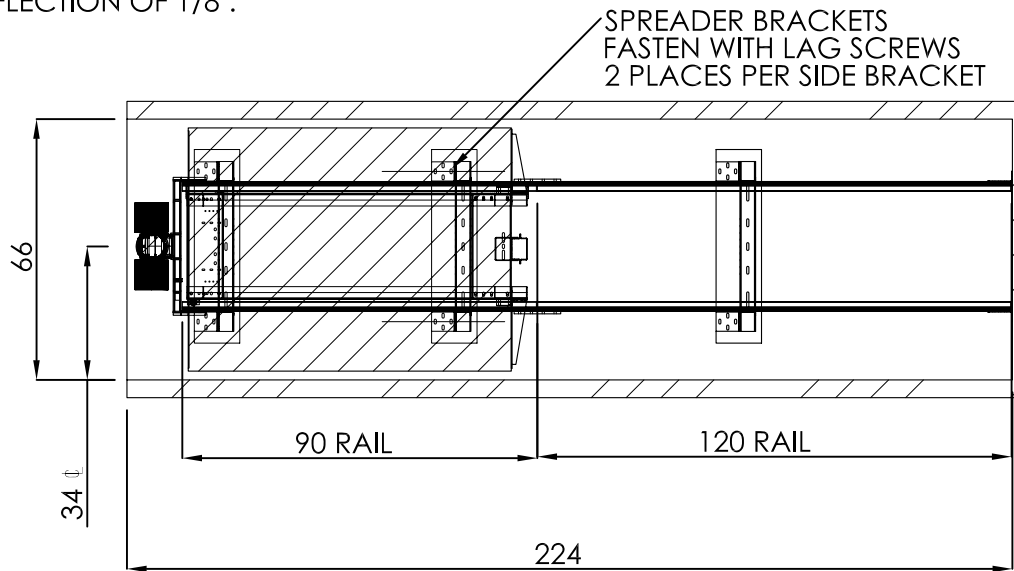
| | |
|--------------|----------|
| RAIL WEIGHT: | 8 lbs/ft |
| RAIL FORCES | |
| *R1 (Fx) | 1075 lbs |
| *R2 (Fy) | 358 lbs |
| R3 (Fz) | 2500 lbs |


| | |
|--|--|
| SIZE | Nationwide Lifts www.elevators.com |
| A | |
| PART NO. | P: 888-695-4387 E: info@elevators.com |
| 36 X 60, TYPE 5L | |
| SHEET 1 OF 3 | |
| DESCRIPTION: SWING DOORS, OVERHEAD DRUM | |

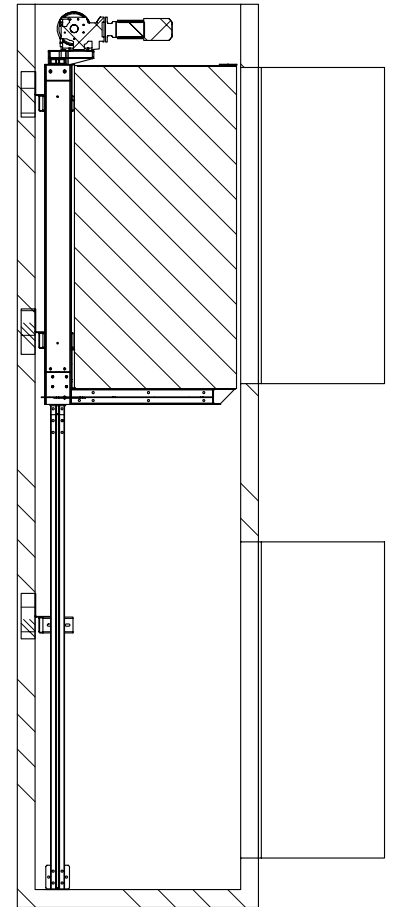
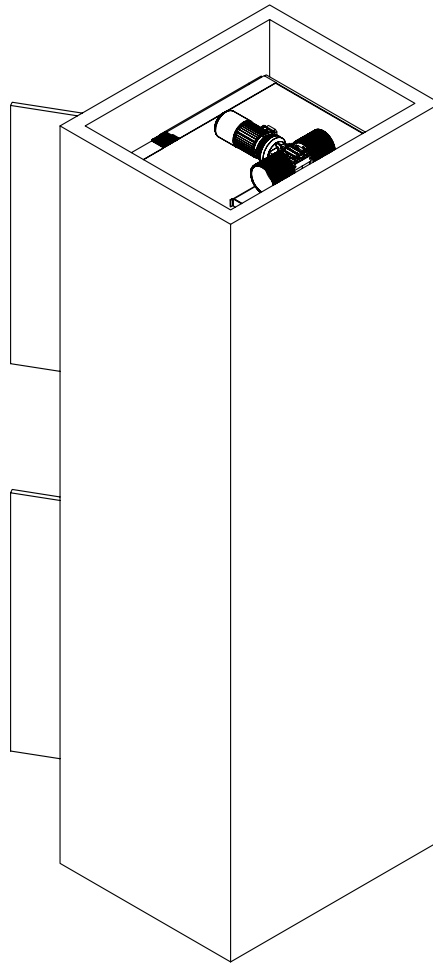
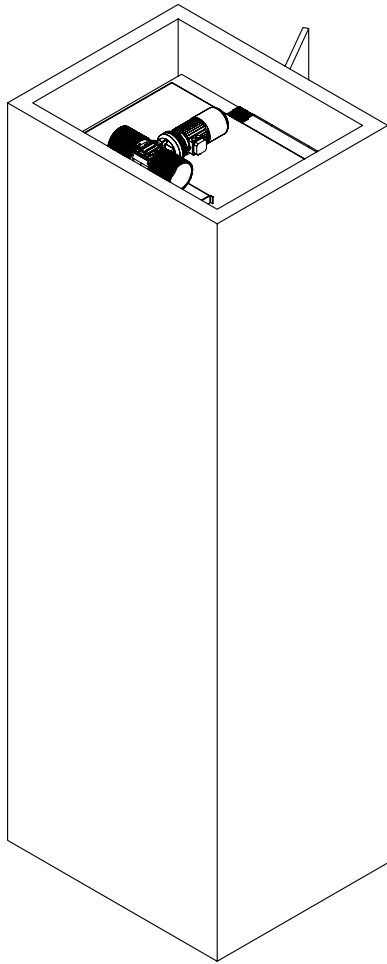


PROVIDE WALL CONSTRUCTION
SUITABLE FOR ATTACHMENT OF
RAIL BRACKETS AT SHOWN ELEVATION.
MUST BE CAPABLE OF 300LB PULLOUT
LOADING WITH MAX DEFLECTION OF 1/8".

BRACKET LOCATIONS MAY VARY
ACCORDING TO TRAVEL



| | |
|--------------|---|
| SIZE |  www.elevators.com P: 888-695-4387 E: info@elevators.com |
| A | |
| PART NO. | 36 X 60, TYPE 5L |
| DESCRIPTION: | SWING DOORS, OVERHEAD DRUM |



5



4

3

2

1

| | |
|----------------------------|---|
| SIZE |  www.elevators.com P: 888-695-4387 E: info@elevators.com |
| A | |
| PART NO. | |
| 36 X 60, TYPE 5L | |
| SHEET 3 OF 3 | |
| DESCRIPTION: | |
| SWING DOORS, OVERHEAD DRUM | |