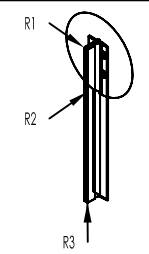
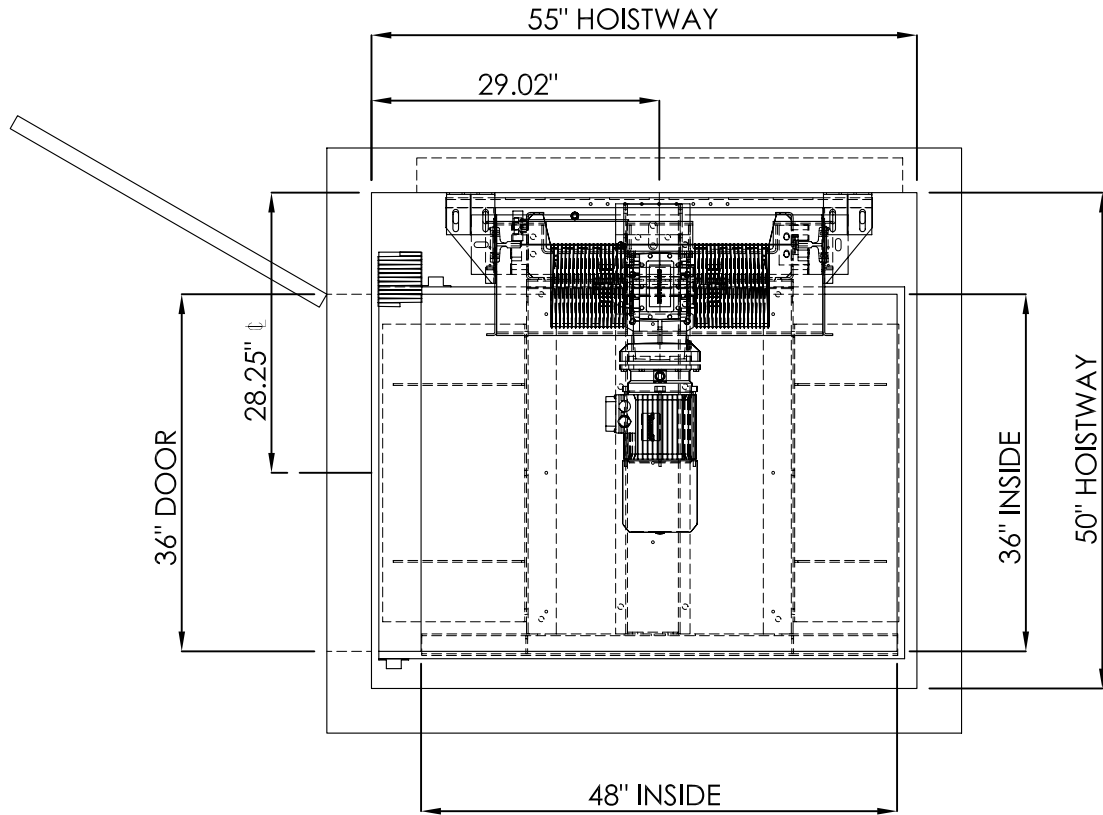
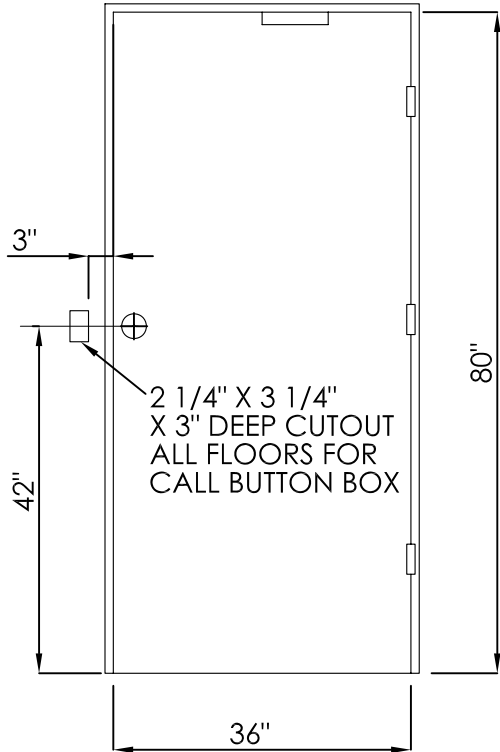
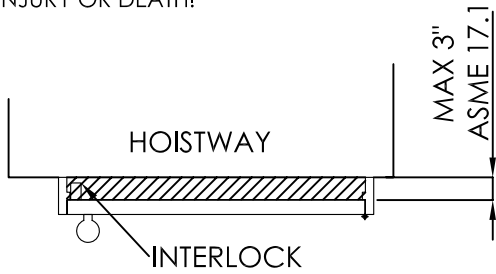


!WARNING!
SPACE BETWEEN DOOR AND HOISTWAY
MUST NOT EXCEED 3"!

INTERLOCKS CONFORMING TO ASME A17.1
MUST BE INSTALLED AND ADJUSTED PER
THE MANUFACTURER'S INSTRUCTIONS.

**!FAILURE TO COMPLY
MAY RESULT IN SERIOUS
INJURY OR DEATH!**



RAIL WEIGHT: 8 lbs/ft

RAIL FORCES

| | |
|----------|----------|
| *R1 (Fx) | 1075 lbs |
| *R2 (Fy) | 358 lbs |
| R3 (Fz) | 2500 lbs |

SIZE

A

Nationwide Lifts
www.elevators.com

P: 888-695-4387

E: info@elevators.com

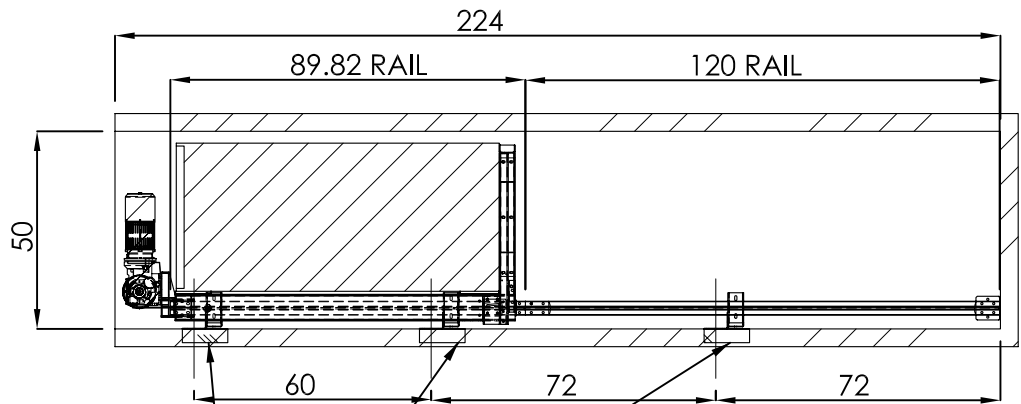
PART NO.

36 X 48, 1L

SHEET 1 OF 3

DESCRIPTION:

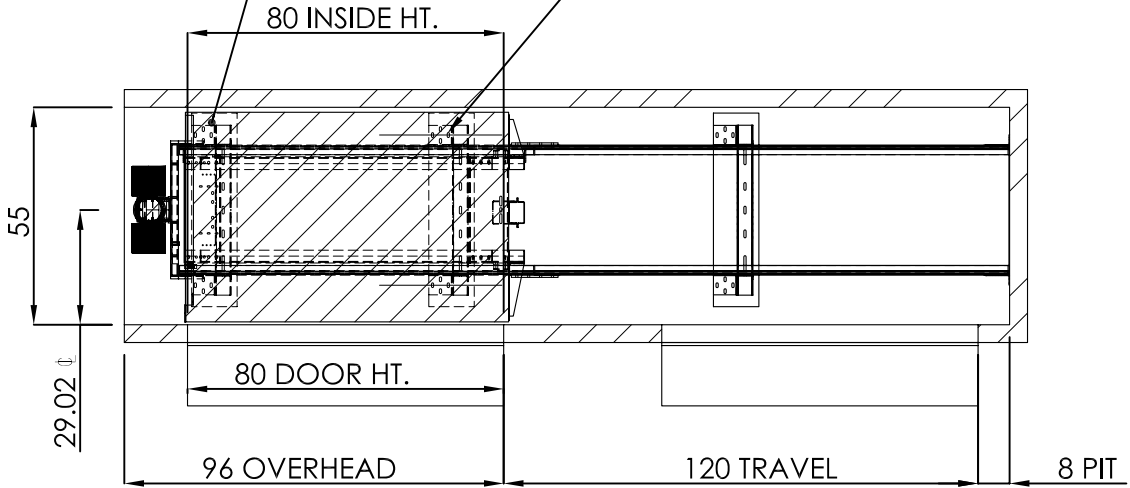
SWING DOORS, OVERHEAD DRUM



BRACKET LOCATIONS MAY VARY ACCORDING TO TRAVEL

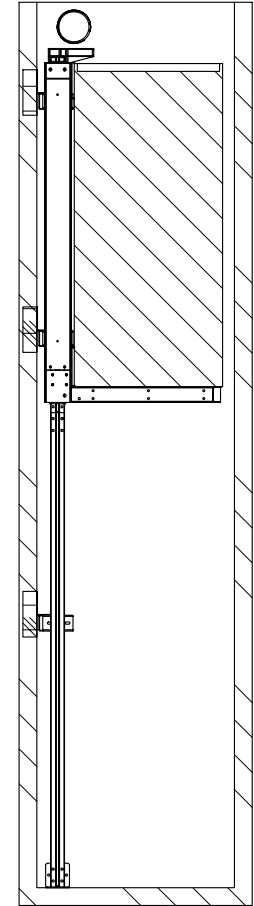
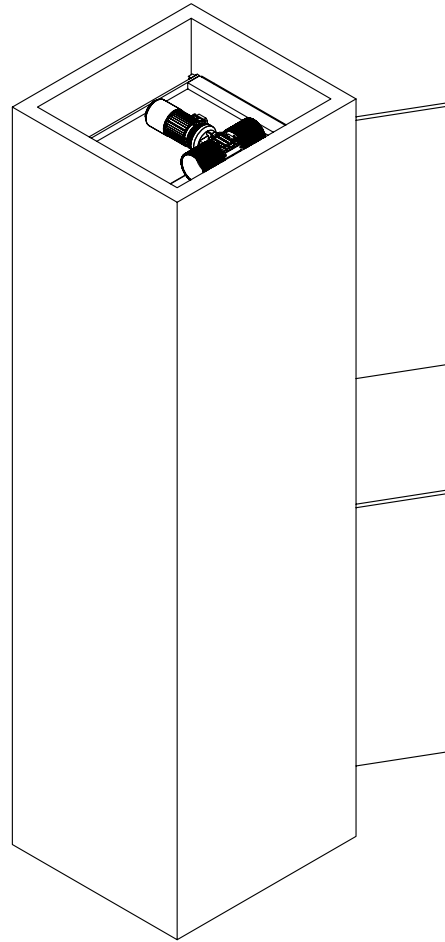
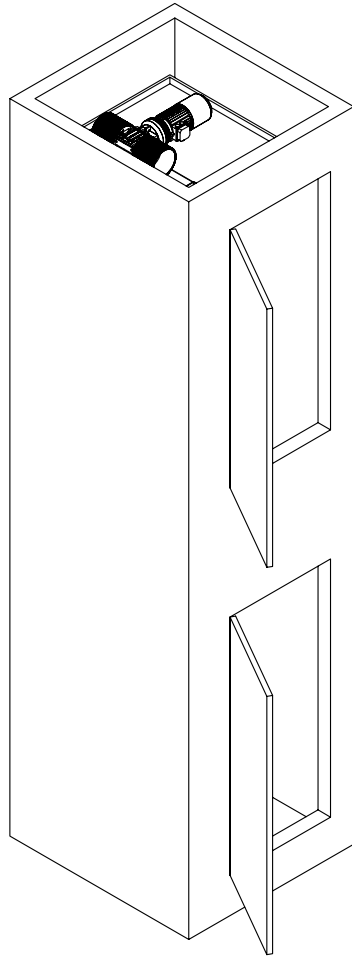
PROVIDE WALL CONSTRUCTION SUITABLE FOR ATTACHMENT OF RAIL BRACKETS AT SHOWN ELEVATION. MUST BE CAPABLE OF 300LB PULLOUT LOADING WITH MAX DEFLECTION OF 1/8".


SPREADER BRACKETS FASTEN WITH LAG SCREWS 2 PLACES PER SIDE BRACKET



| | | |
|----------|---|--|
| SIZE |  www.elevators.com | |
| A | | |

PART NO.
36 X 48, 1L
 SHEET 2 OF 3
 DESCRIPTION:
SWING DOORS, OVERHEAD DRUM



| | |
|--------------|---|
| SIZE |  Nationwide Lifts www.elevators.com |
| A | |
| PART NO. | 36 X 48, 1L |
| | SHEET 3 OF 3 |
| DESCRIPTION: | SWING DOORS, OVERHEAD DRUM |

5



4

3

2

1