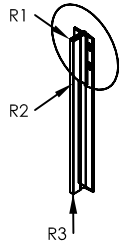
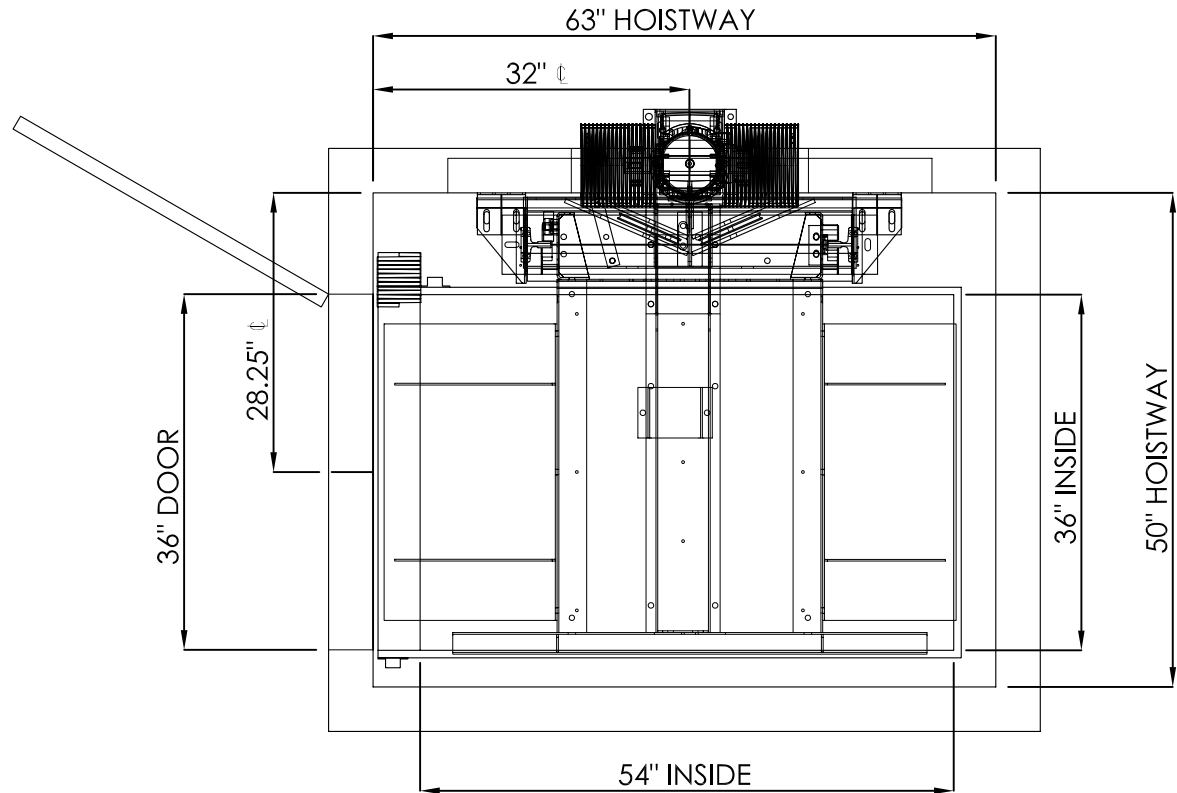
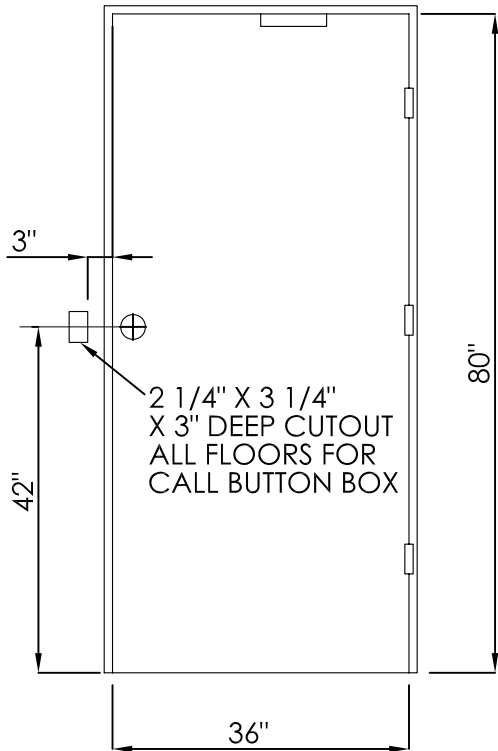
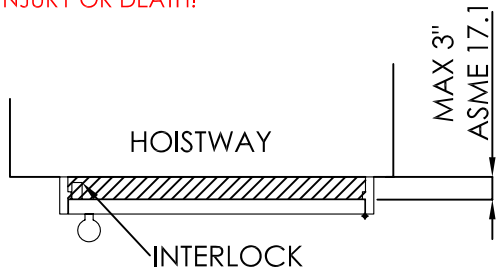


**!WARNING!**  
SPACE BETWEEN DOOR AND HOISTWAY  
MUST NOT EXCEED 3"

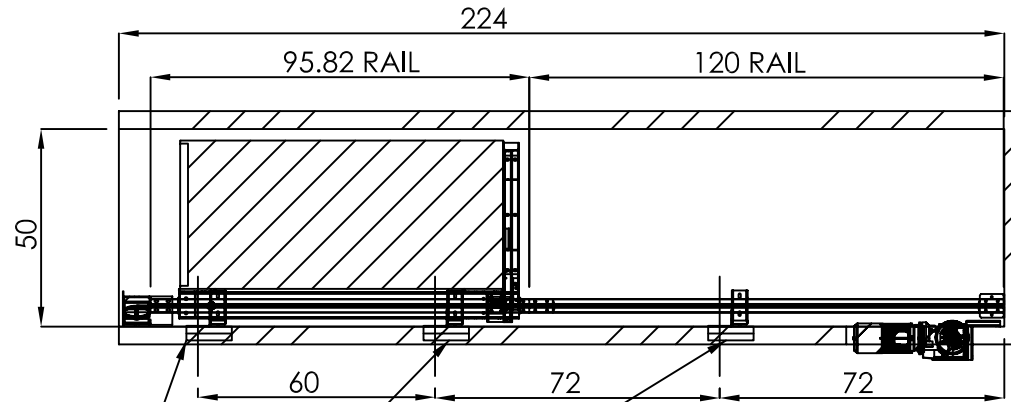
INTERLOCKS CONFORMING TO ASME A17.1  
MUST BE INSTALLED AND ADJUSTED PER  
THE MANUFACTURER'S INSTRUCTIONS.

**!FAILURE TO COMPLY  
MAY RESULT IN SERIOUS  
INJURY OR DEATH!**



RAIL WEIGHT: 8 lbs/ft	
RAIL FORCES	
*R1 (Fx)	1075 lbs
*R2 (Fy)	358 lbs
R3 (Fz)	2500 lbs

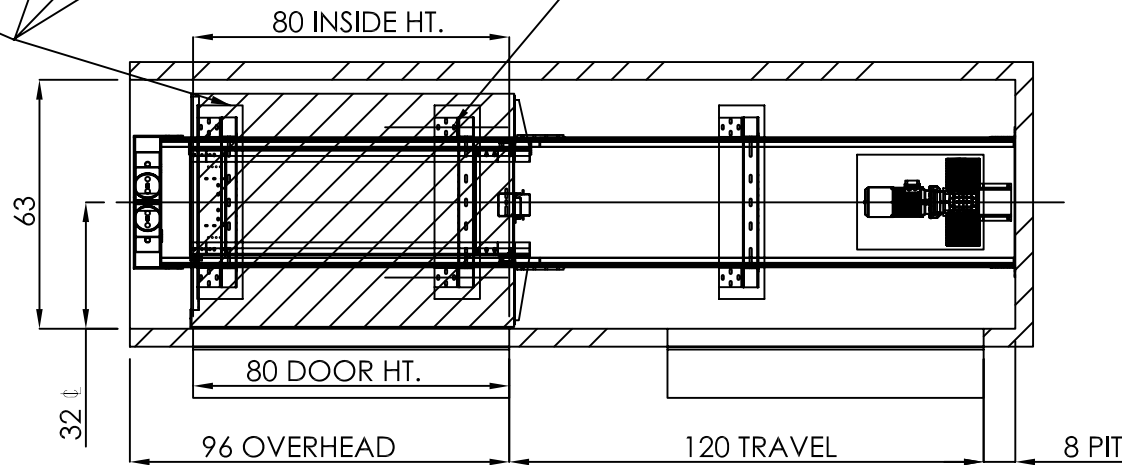
SIZE	<b>Nationwide Lifts</b> www.elevators.com
<b>A</b>	
PART NO.	P: 888-695-4387 E: info@elevators.com
<b>36 X 54, 1L</b>	
SHEET 1 OF 3	
DESCRIPTION: SWING DOORS, BASEMENT DRUM	




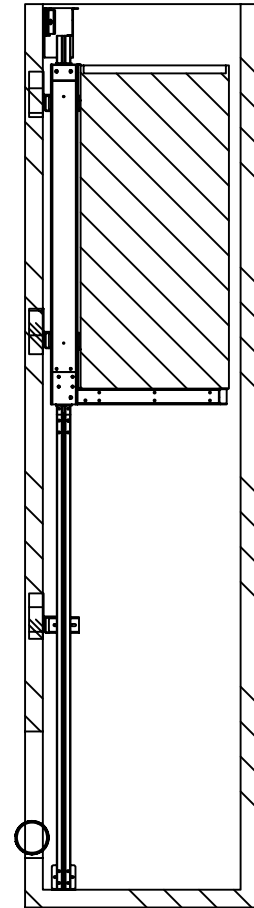
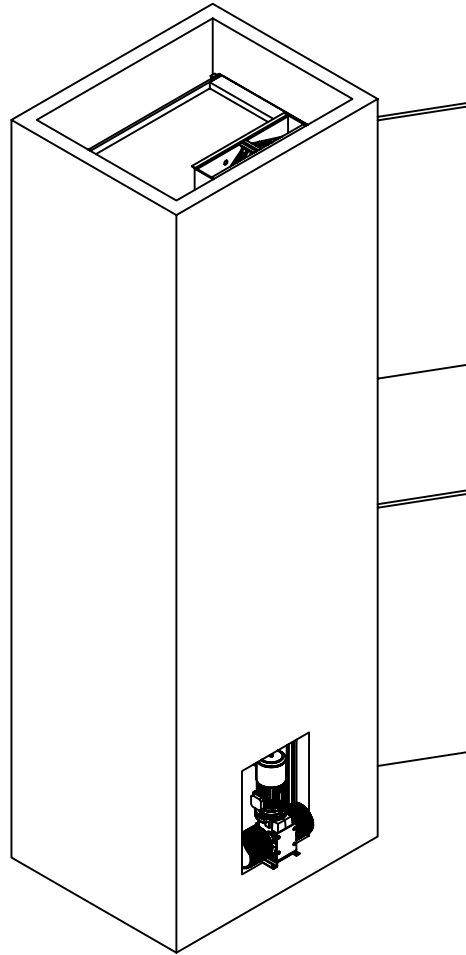
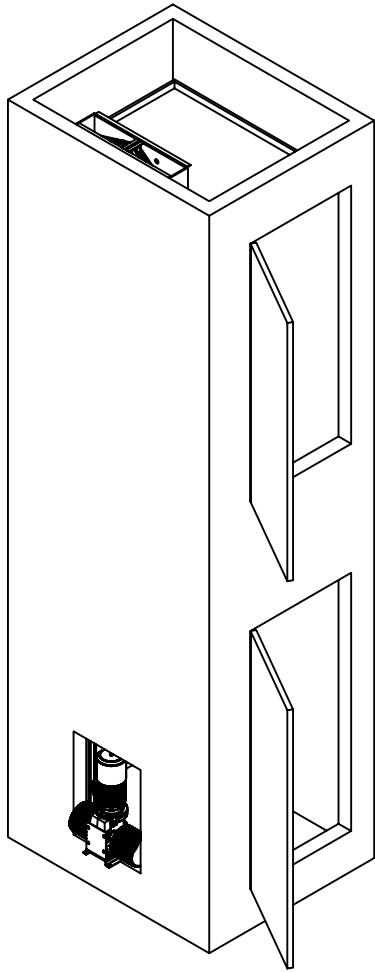
BRACKET LOCATIONS MAY VARY  
ACCORDING TO TRAVEL


PROVIDE WALL CONSTRUCTION  
SUITABLE FOR ATTACHMENT OF  
RAIL BRACKETS AT SHOWN ELEVATION.  
MUST BE CAPABLE OF 300LB PULLOUT  
LOADING WITH MAX DEFLECTION OF 1/8".

SPREADER BRACKETS  
FASTEN WITH LAG SCREWS  
2 PLACES PER SIDE BRACKET



SIZE	 <b>Nationwide Lifts</b> <a href="http://www.elevators.com">www.elevators.com</a> P: 888-695-4387 E: info@elevators.com
<b>A</b>	
PART NO.	<b>36 X 54, 1L</b>
DESCRIPTION:	SWING DOORS, BASEMENT DRUM



SIZE	 <b>Nationwide Lifts</b> <a href="http://www.elevators.com">www.elevators.com</a> P: 888-695-4387    E: info@elevators.com
<b>A</b>	
PART NO.	<b>36 X 54, 1L</b>
	SHEET 3 OF 3
DESCRIPTION:	SWING DOORS, BASEMENT DRUM

5



4



3



2



1