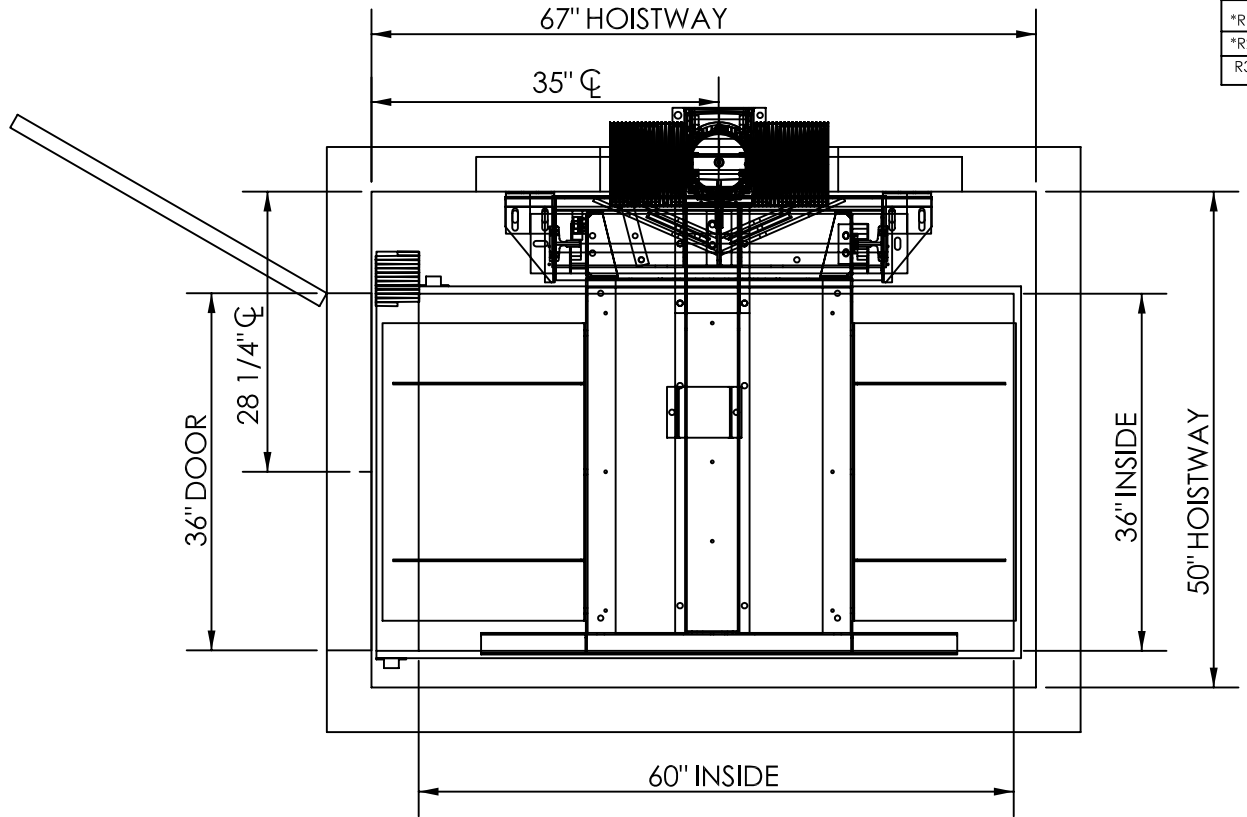
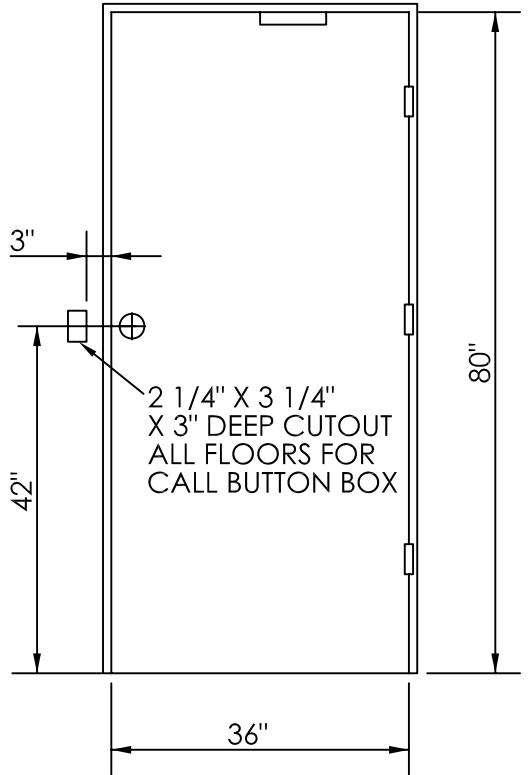
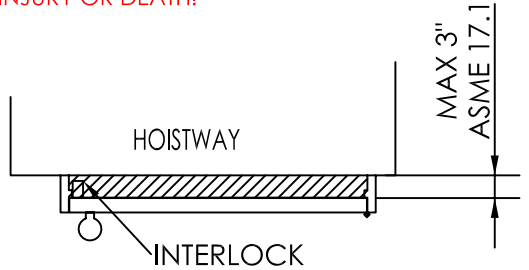
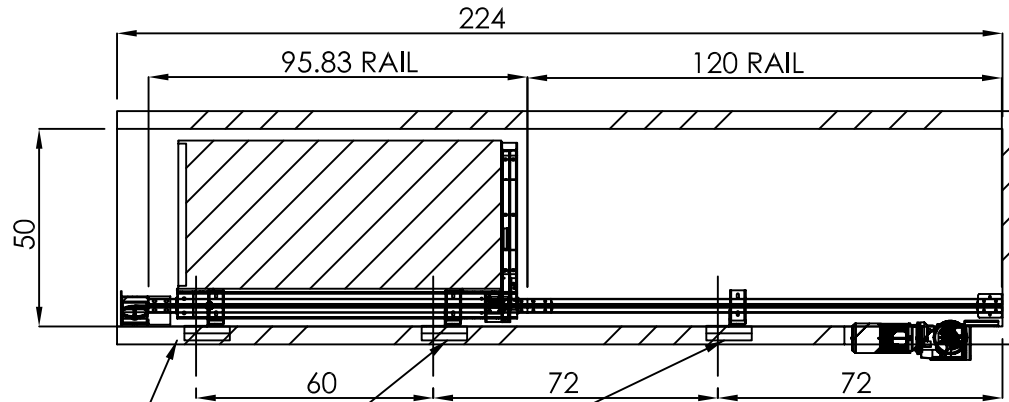


!WARNING!
 SPACE BETWEEN DOOR AND HOISTWAY
 MUST NOT EXCEED 3"!
 INTERLOCKS CONFORMING TO ASME A17.1
 MUST BE INSTALLED AND ADJUSTED PER
 THE MANUFACTURER'S INSTRUCTIONS.
**!FAILURE TO COMPLY
 MAY RESULT IN SERIOUS
 INJURY OR DEATH!**



RAIL WEIGHT: 8 lbs/ft	
RAIL FORCES	
*R1 (Fx)	1075 lbs
*R2 (Fy)	358 lbs
R3 (Fz)	2500 lbs

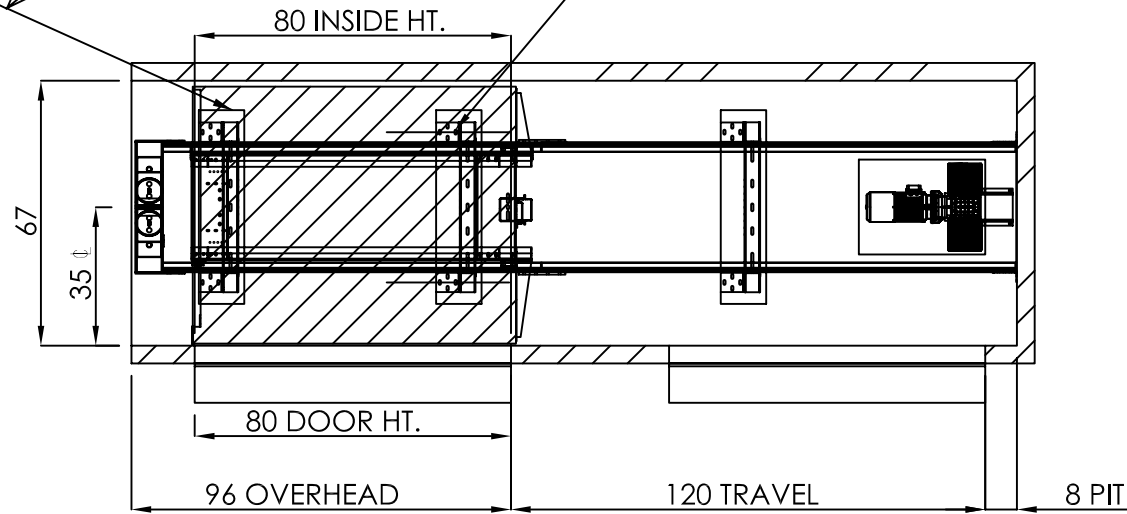
SIZE	A	Nationwide Lifts www.elevators.com	P: 888-695-4387 E: info@elevators.com
PART NO. 36 X 60, 1L			
SHEET 1 OF 3			
DESCRIPTION: SWING DOORS, BASEMENT DRUM			




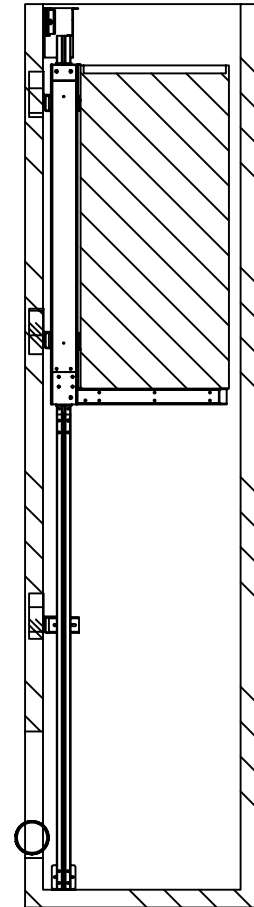
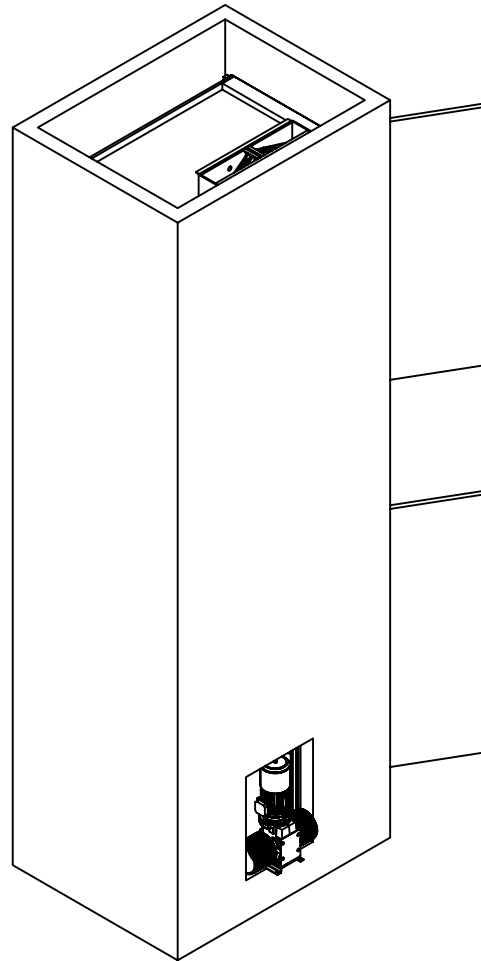
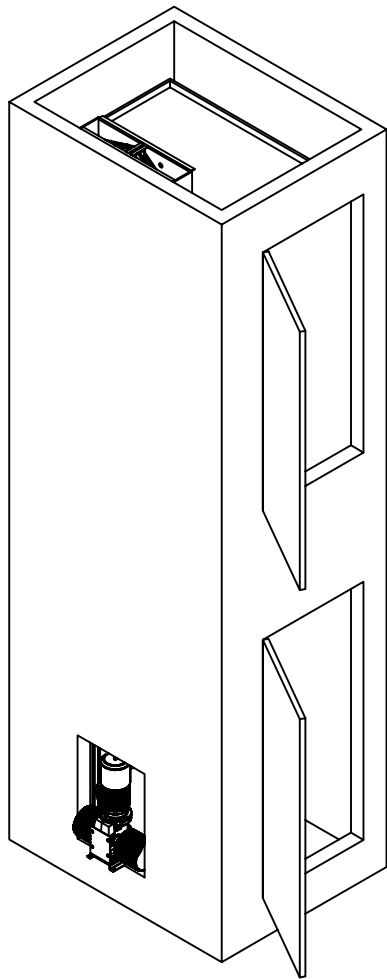
BRACKET LOCATIONS MAY VARY
ACORDING TO TRAVEL

PROVIDE WALL CONSTRUCTION
SUITABLE FOR ATTACHMENT OF
RAIL BRACKETS AT SHOWN ELEVATION.
MUST BE CAPABLE OF 300LB PULLOUT
LOADING WITH MAX DEFLECTION OF 1/8".

SPREADER BRACKETS
FASTEN WITH LAG SCREWS
2 PLACES PER SIDE BRACKET



SIZE	 Nationwide Lifts www.elevators.com P: 888-695-4387 E: info@elevators.com	
A		
PART NO.	36 X 60, 1L	
DESCRIPTION:	SWING DOORS, BASEMENT DRUM	



5



4




3



2



1

SIZE	 www.elevators.com P: 888-695-4387 E: info@elevators.com
A	
PART NO.	36 X 60, 1L
	SHEET 3 OF 3
DESCRIPTION:	SWING DOORS, BASEMENT DRUM