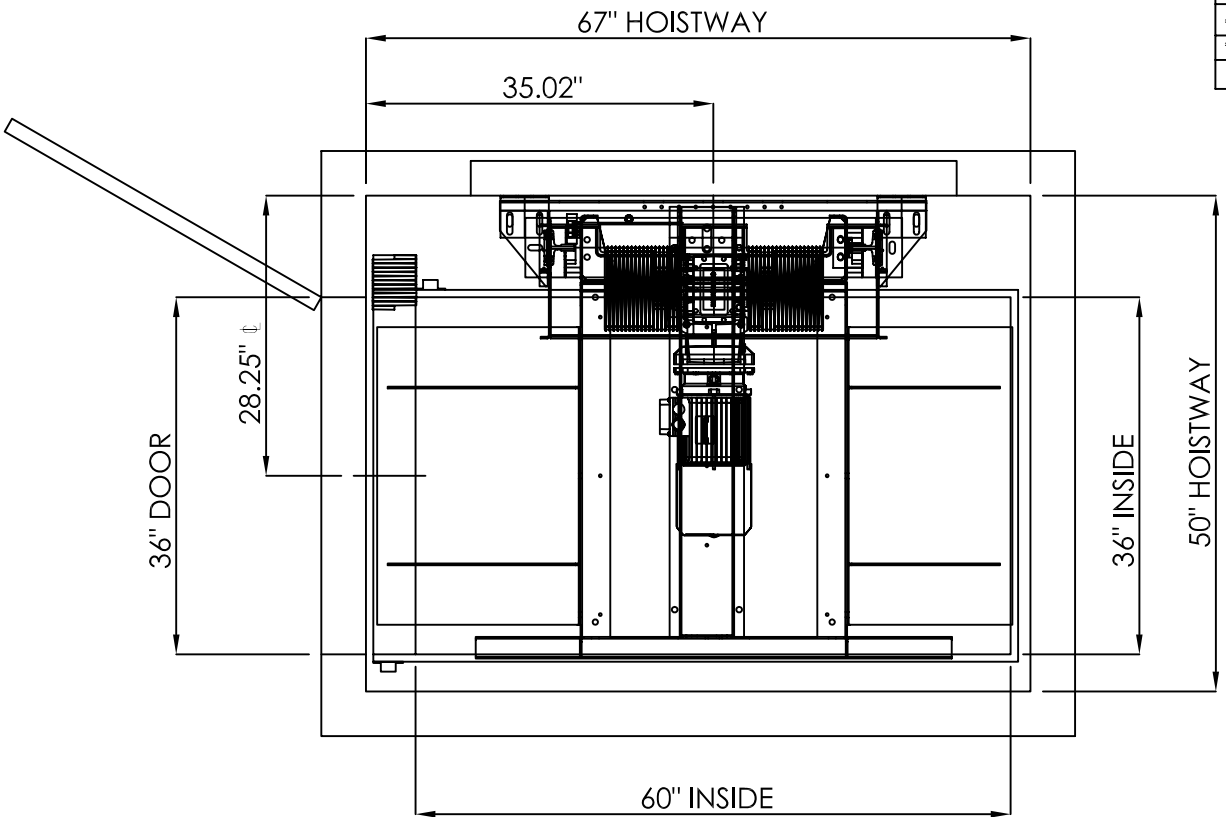
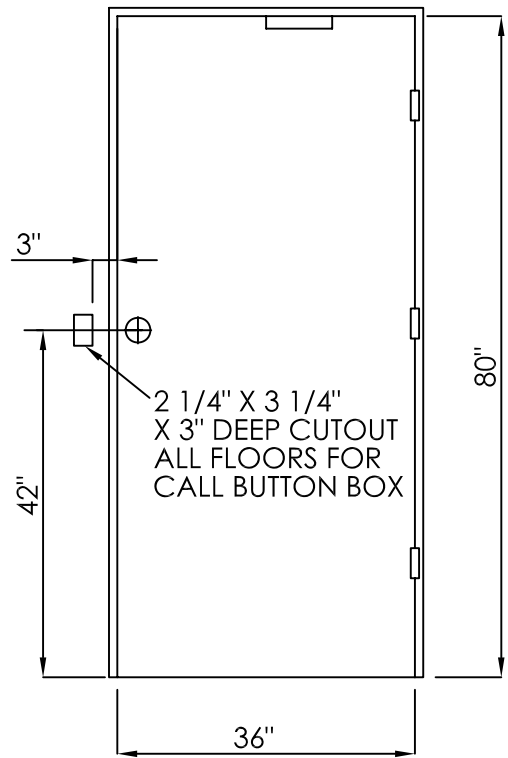
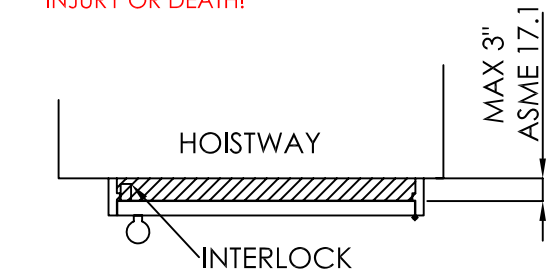
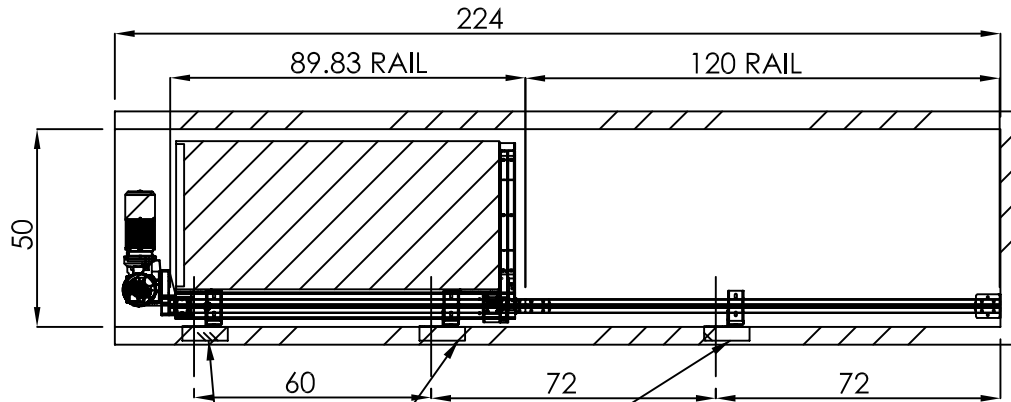


!WARNING!
 SPACE BETWEEN DOOR AND HOISTWAY
 MUST NOT EXCEED 3"!
 INTERLOCKS CONFORMING TO ASME A17.1
 MUST BE INSTALLED AND ADJUSTED PER
 THE MANUFACTURER'S INSTRUCTIONS.
**!FAILURE TO COMPLY
 MAY RESULT IN SERIOUS
 INJURY OR DEATH!**



RAIL WEIGHT: 8 lbs/ft	
RAIL FORCES	
*R1(Fx)	1075 lbs
*R2(Fy)	358 lbs
R3(Fz)	2500 lbs

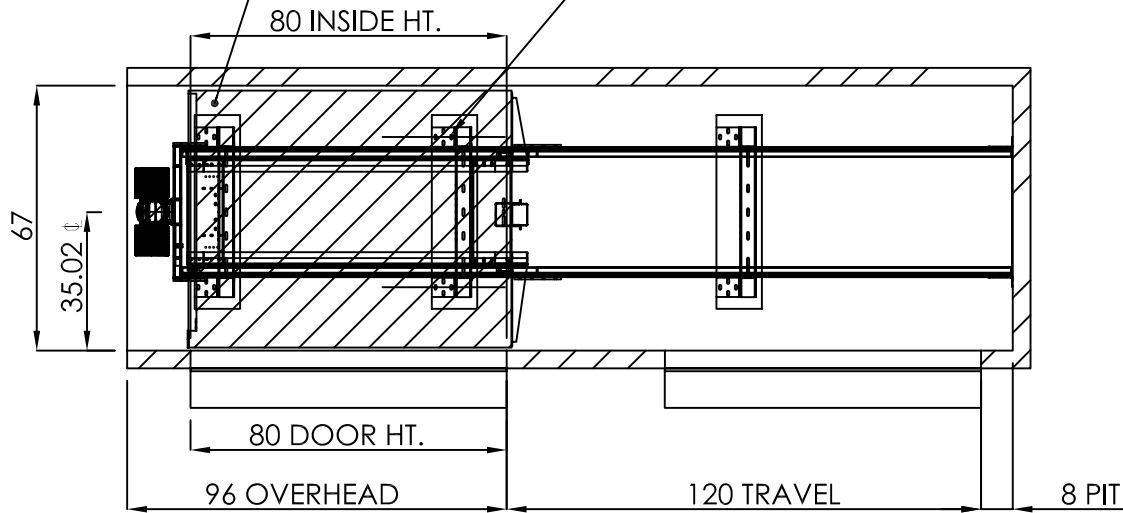
SIZE	 www.elevators.com	
A		
PART NO.		
36 X 60, 1L		
SHEET 1 OF 3		
DESCRIPTION:		
SWING DOORS, OVERHEAD DRUM		




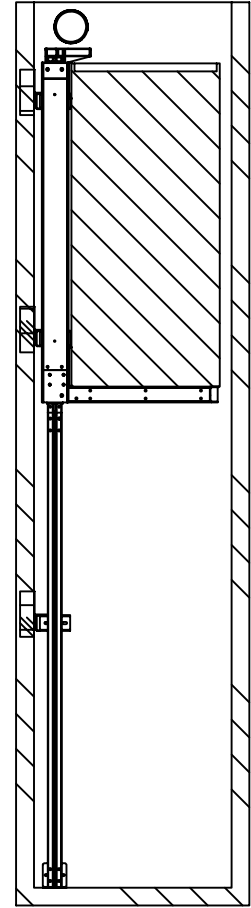
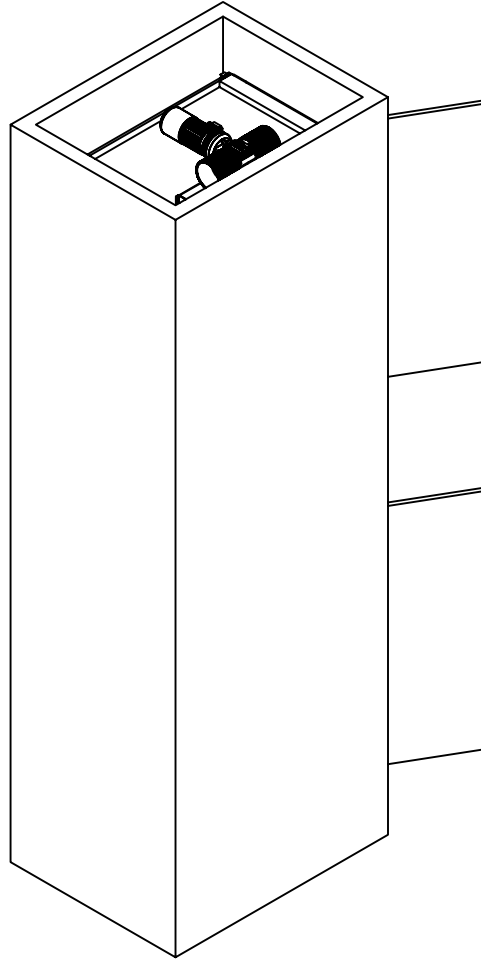
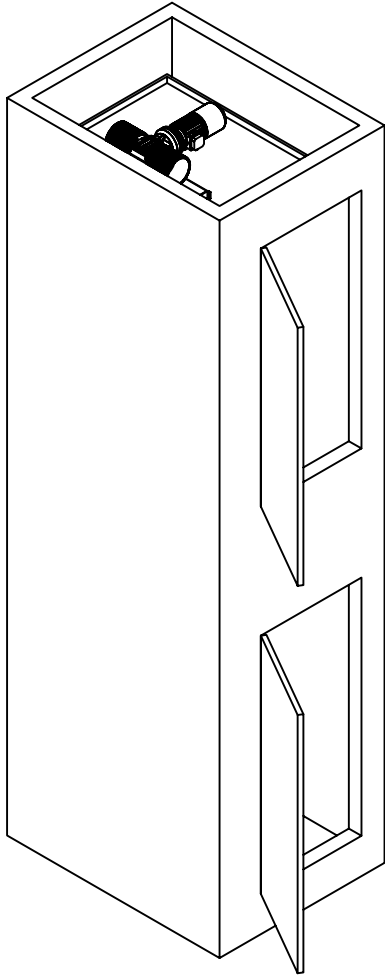
BRACKET LOCATIONS MAY VARY ACCORDING TO TRAVEL

PROVIDE WALL CONSTRUCTION SUITABLE FOR ATTACHMENT OF RAIL BRACKETS AT SHOWN ELEVATION. MUST BE CAPABLE OF 300LB PULLOUT LOADING WITH MAX DEFLECTION OF 1/8".

SPREADER BRACKETS FASTEN WITH LAG SCREWS 2 PLACES PER SIDE BRACKET



SIZE	 www.elevators.com	
A	P: 888-695-4387	E: info@elevators.com
PART NO. 36 X 60, 1L		
SHEET 2 OF 3		
DESCRIPTION: SWING DOORS, OVERHEAD DRUM		



SIZE
A
PART NO.
36 X 60, 1L
SHEET 3 OF 3
DESCRIPTION:
SWING DOORS, OVERHEAD DRUM

5



4



3



2



1