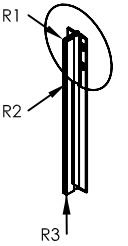
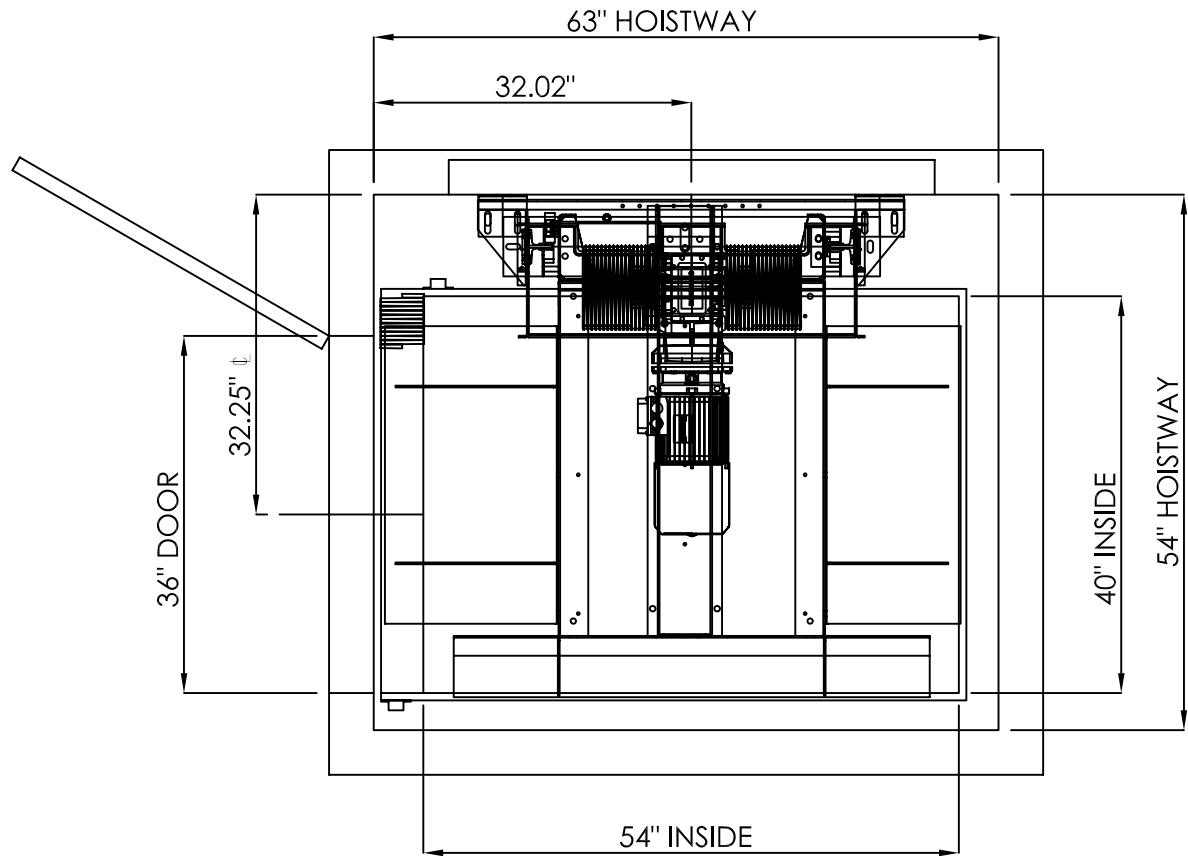
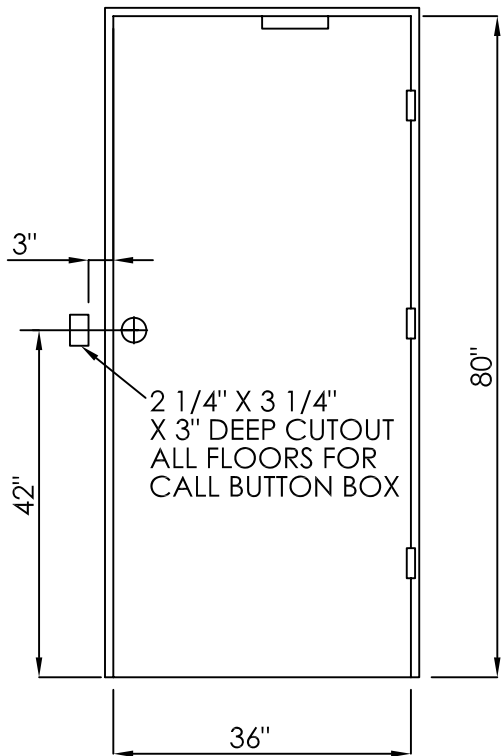
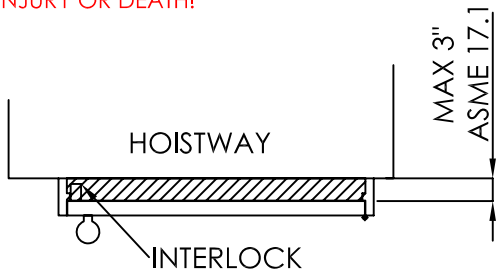



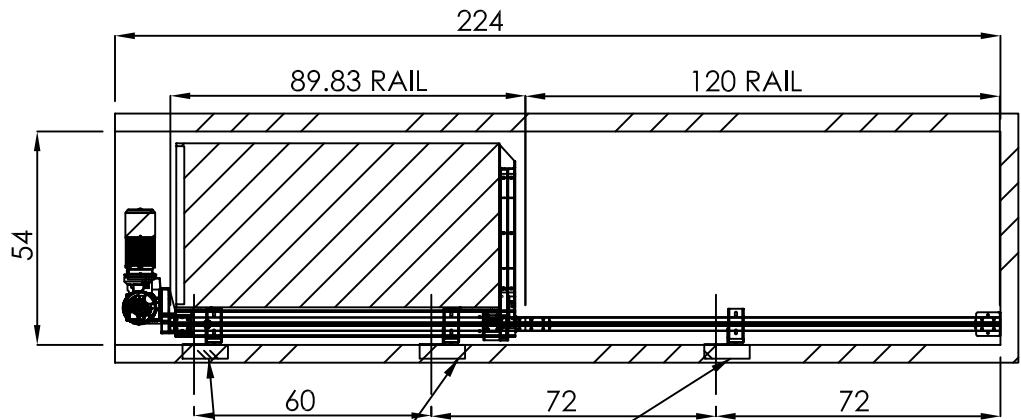
!WARNING!
 SPACE BETWEEN DOOR AND HOISTWAY
 MUST NOT EXCEED 3"!
 INTERLOCKS CONFORMING TO ASME A17.1
 MUST BE INSTALLED AND ADJUSTED PER
 THE MANUFACTURER'S INSTRUCTIONS.
**!FAILURE TO COMPLY
 MAY RESULT IN SERIOUS
 INJURY OR DEATH!**



RAIL WEIGHT: 8 lbs/ft

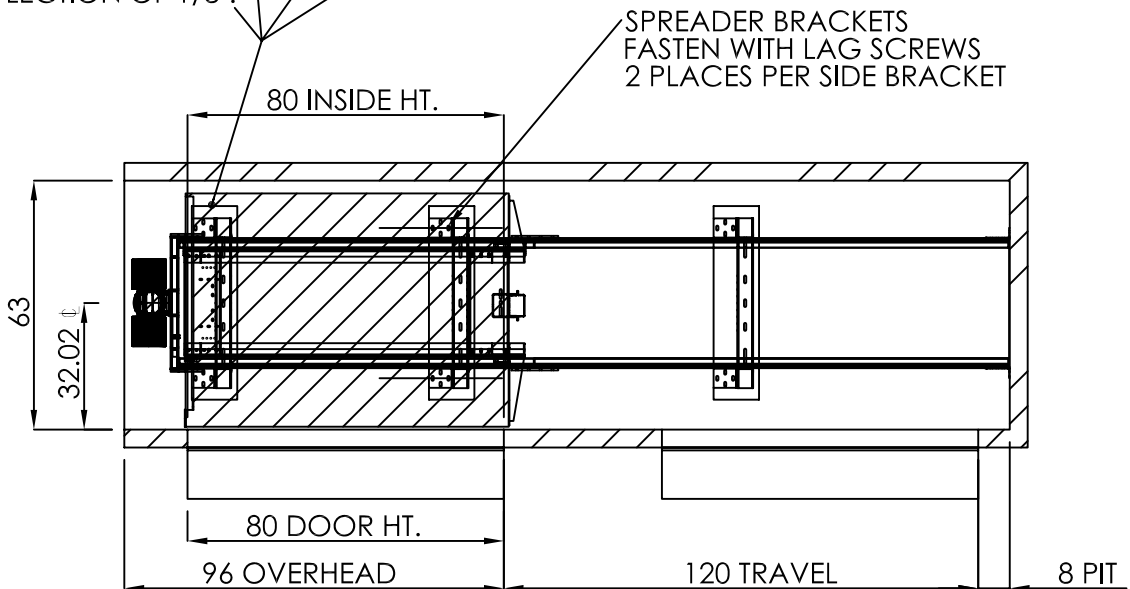
RAIL FORCES	
*R1(Fx)	1075 lbs
*R2(Fy)	358 lbs
R3(Fz)	2500 lbs


SIZE	 www.elevators.com P: 888-695-4387 E: info@elevators.com	
A		
PART NO.		
40 x 54, 1L		
SHEET 1 OF 3		
DESCRIPTION:		
SWING DOORS, OVERHEAD DRUM		

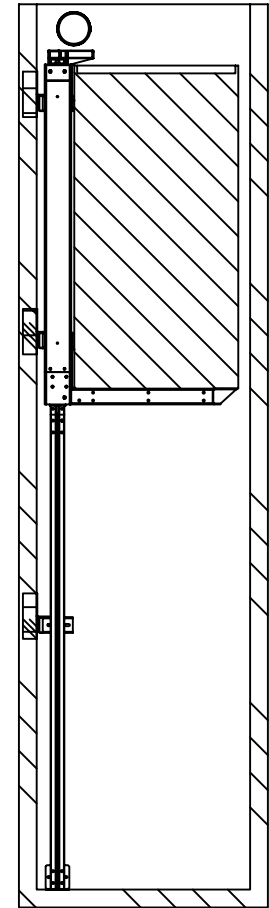
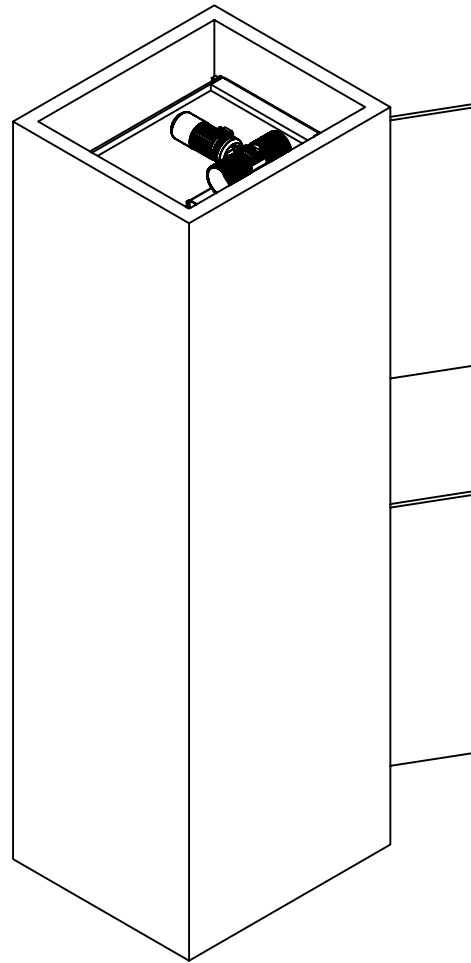
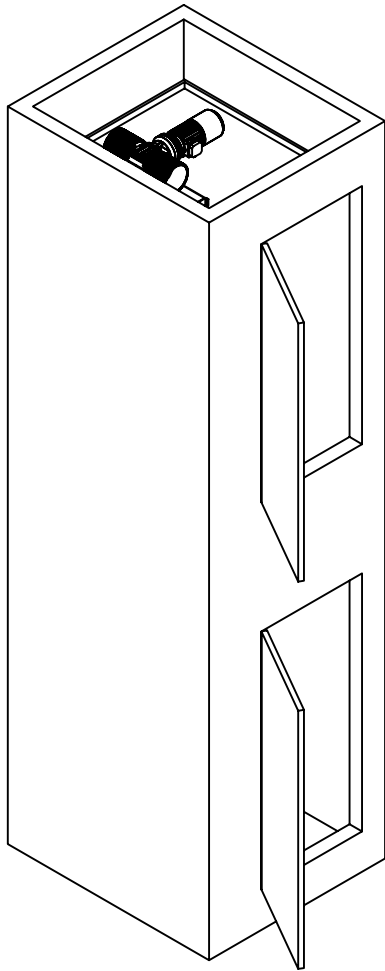



PROVIDE WALL CONSTRUCTION SUITABLE FOR ATTACHMENT OF RAIL BRACKETS AT SHOWN ELEVATION. MUST BE CAPABLE OF 300LB PULLOUT LOADING WITH MAX DEFLECTION OF 1/8".

BRACKET LOCATIONS MAY VARY ACCORDING TO TRAVEL



SIZE	 www.elevators.com	
A	P: 888-695-4387	E: info@elevators.com
PART NO.	40 x 54, 1L	
	SHEET 2 OF 3	
DESCRIPTION:	SWING DOORS, OVERHEAD DRUM	



SIZE	 Nationwide Lifts www.elevators.com P: 888-695-4387 E: info@elevators.com
A	
PART NO.	40 x 54, 1L
	SHEET 3 OF 3
DESCRIPTION:	SWING DOORS, OVERHEAD DRUM

5



4



3



2



1