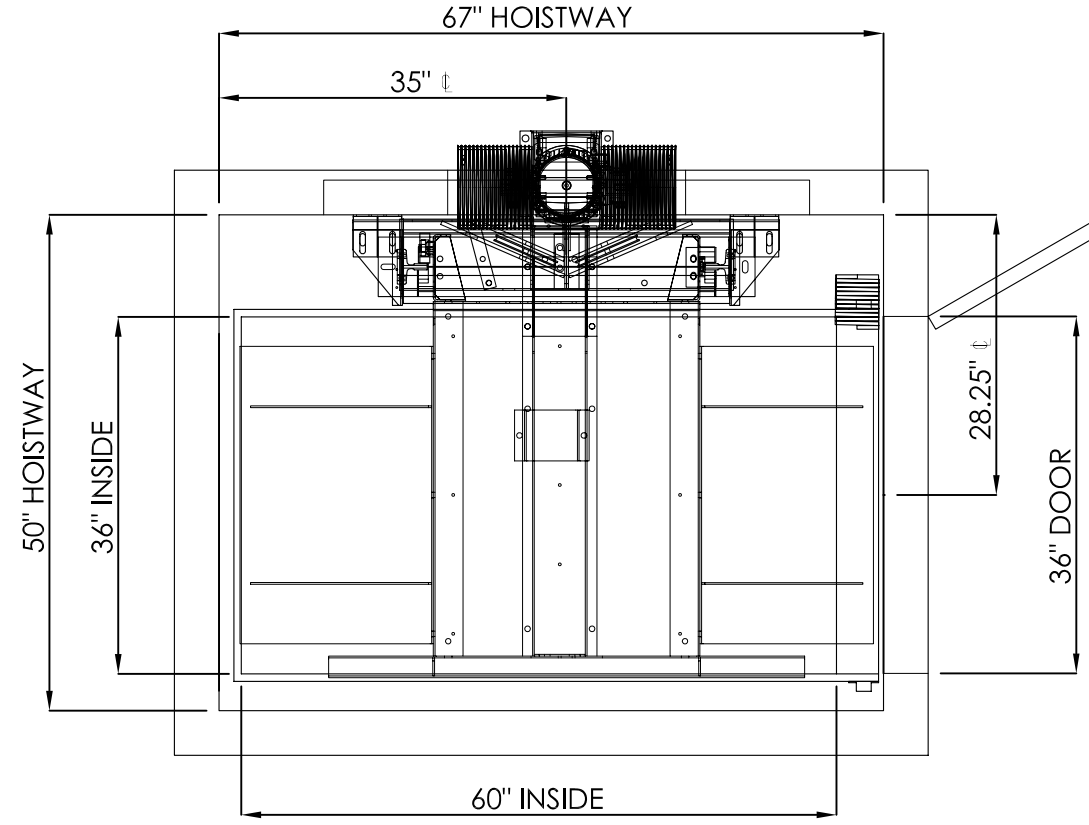
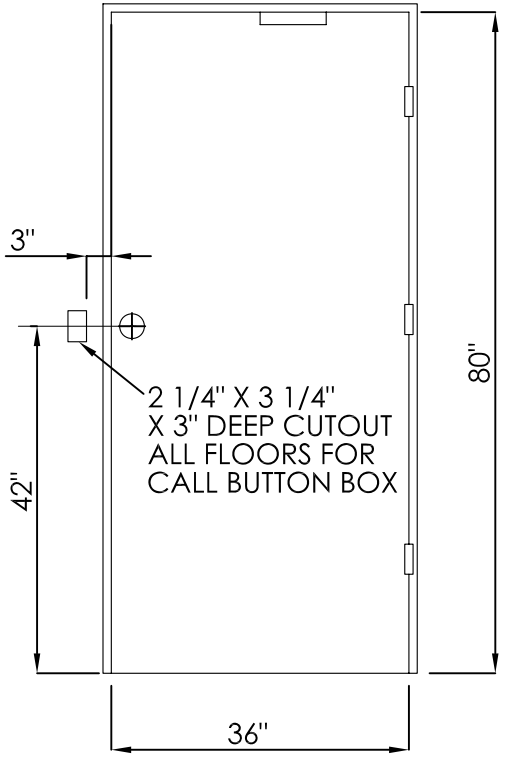
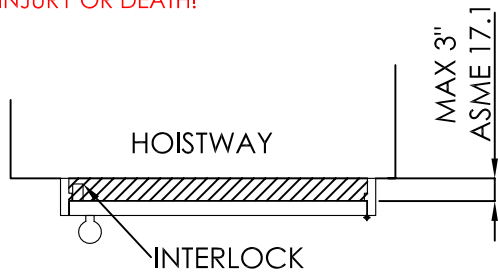
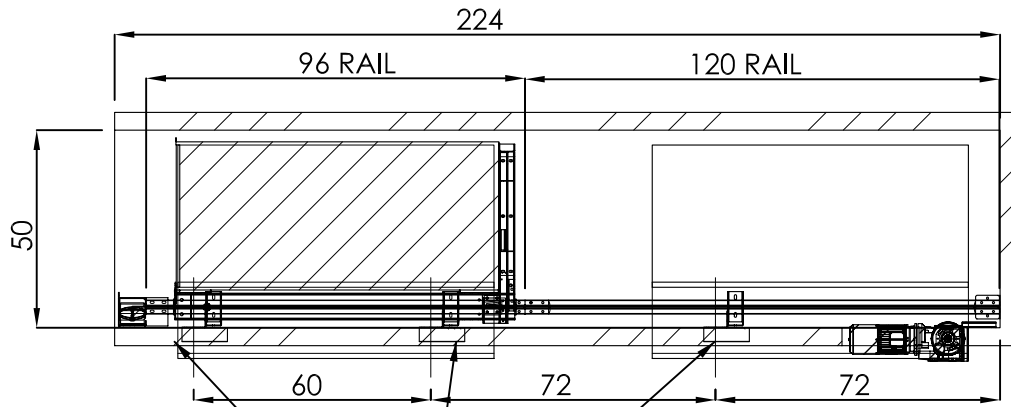


**!WARNING!**  
 SPACE BETWEEN DOOR AND HOISTWAY  
 MUST NOT EXCEED 3"!  
 INTERLOCKS CONFORMING TO ASME A17.1  
 MUST BE INSTALLED AND ADJUSTED PER  
 THE MANUFACTURER'S INSTRUCTIONS.  
**!FAILURE TO COMPLY  
 MAY RESULT IN SERIOUS  
 INJURY OR DEATH!**



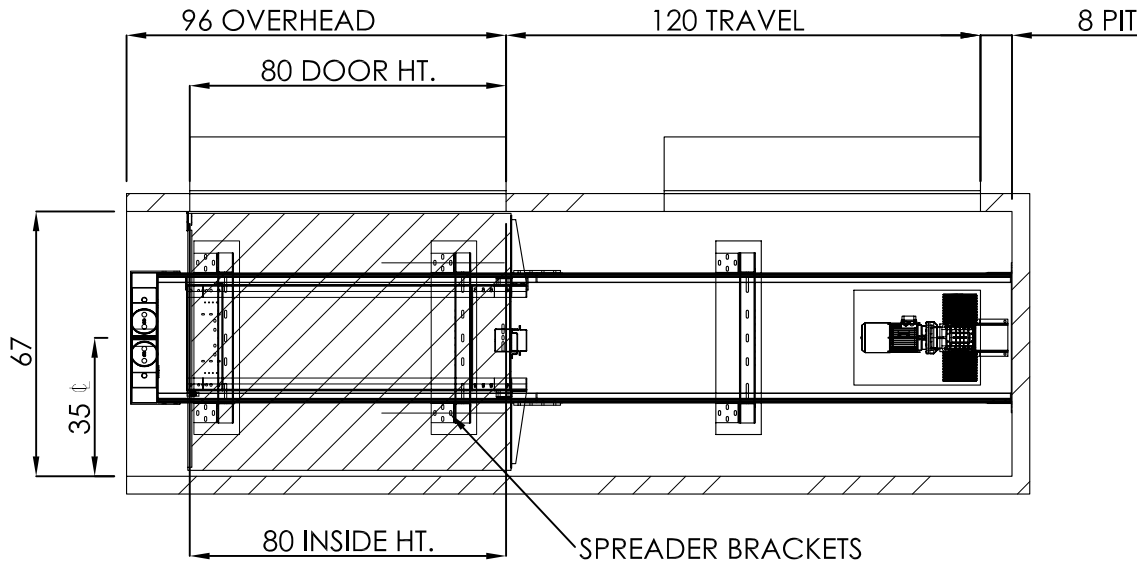
RAIL WEIGHT: 8 lbs/ft	
RAIL FORCES	
*R1(Fx)	1075 lbs
*R2(Fy)	358 lbs
R3(Fz)	2500 lbs

SIZE	 <a href="http://www.elevators.com">www.elevators.com</a>	
<b>A</b>		
PART NO.		
<b>36 X 60, 1R</b>		
SHEET 1 OF 3		
DESCRIPTION:		
SWING DOORS, BASEMENT DRUM		




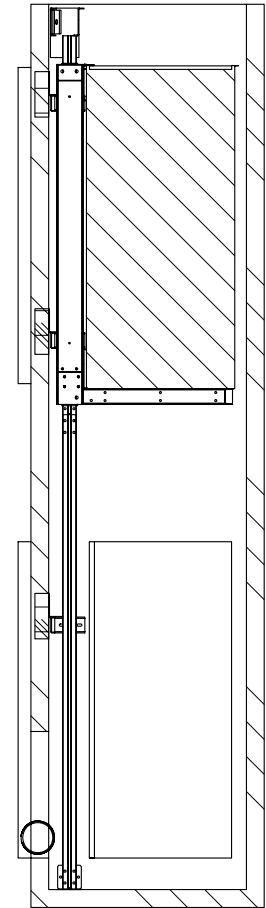
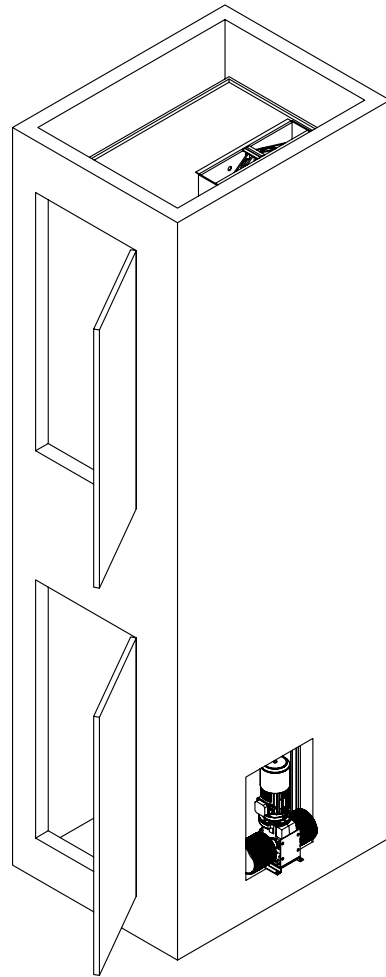
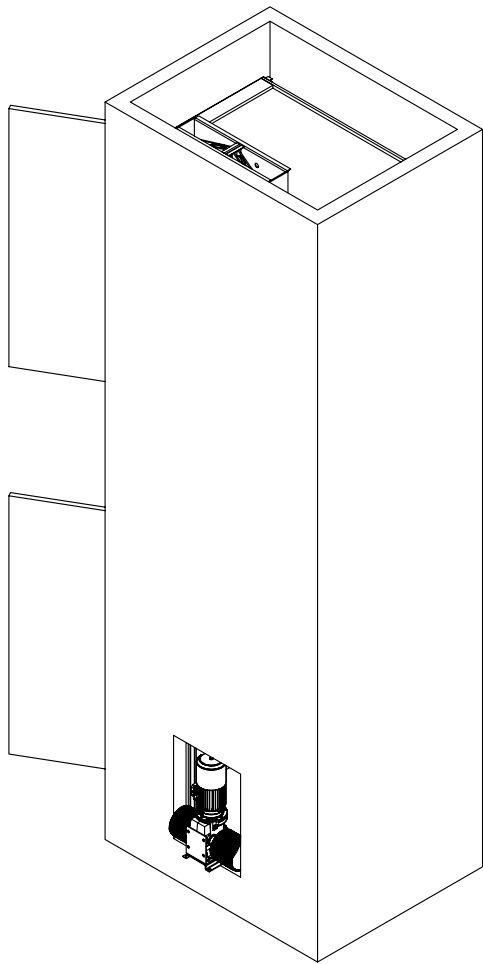
BRACKET LOCATIONS MAY VARY  
ACORDING TO TRAVEL

PROVIDE WALL CONSTRUCTION  
SUITABLE FOR ATTACHMENT OF  
RAIL BRACKETS AT SHOWN ELEVATION.  
MUST BE CAPABLE OF 300LB PULLOUT  
LOADING WITH MAX DEFLECTION OF 1/8".



SPREADER BRACKETS  
FASTEN WITH LAG SCREWS  
2 PLACES PER SIDE BRACKET

SIZE	 <a href="http://www.elevators.com">www.elevators.com</a> P: 888-695-4387    E: info@elevators.com
A	
PART NO.	36 X 60, 1R
DESCRIPTION:	SWING DOORS, BASEMENT DRUM



5



4

3

2

1

SIZE

**A**

**Nationwide Lifts**  
www.elevators.com

P: 888-695-4387

E: info@elevators.com

PART NO.

**36 X 60, 1R**

SHEET 3 OF 3

DESCRIPTION:

SWING DOORS, BASEMENT DRUM