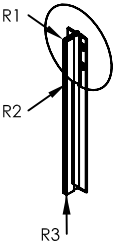
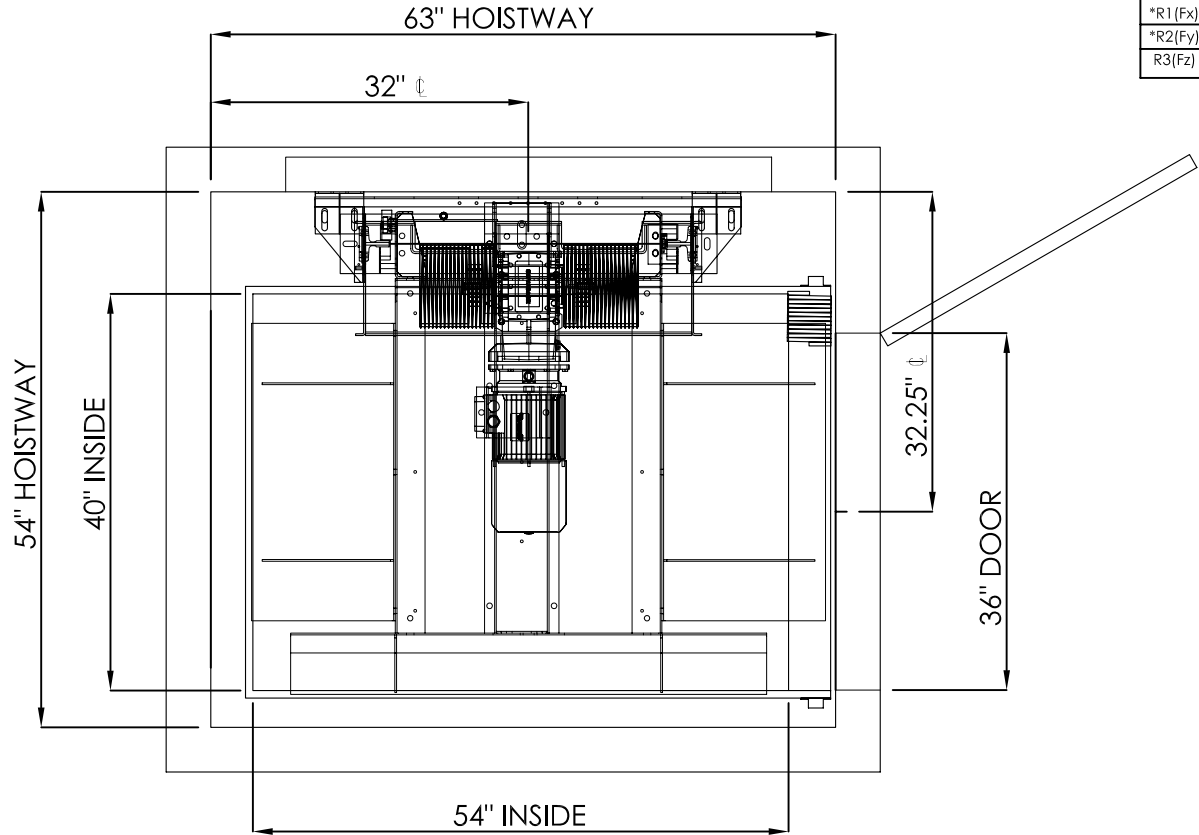
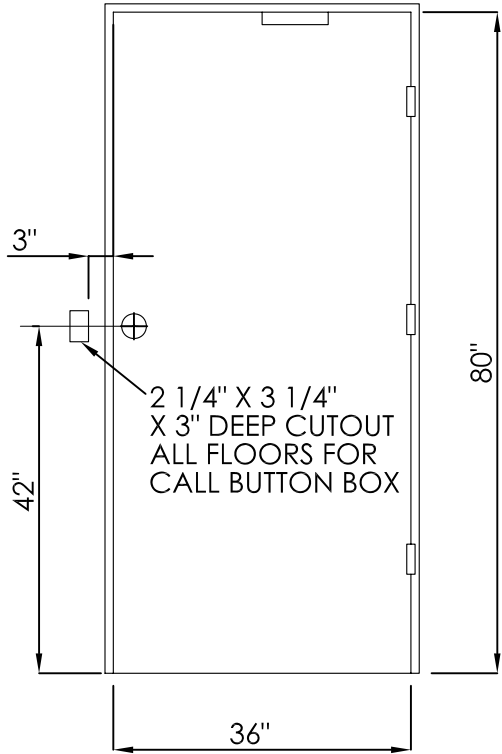
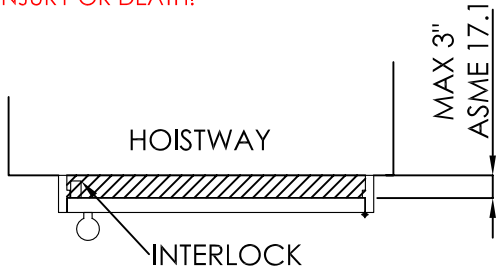



!WARNING!
SPACE BETWEEN DOOR AND HOISTWAY
MUST NOT EXCEED 3"!

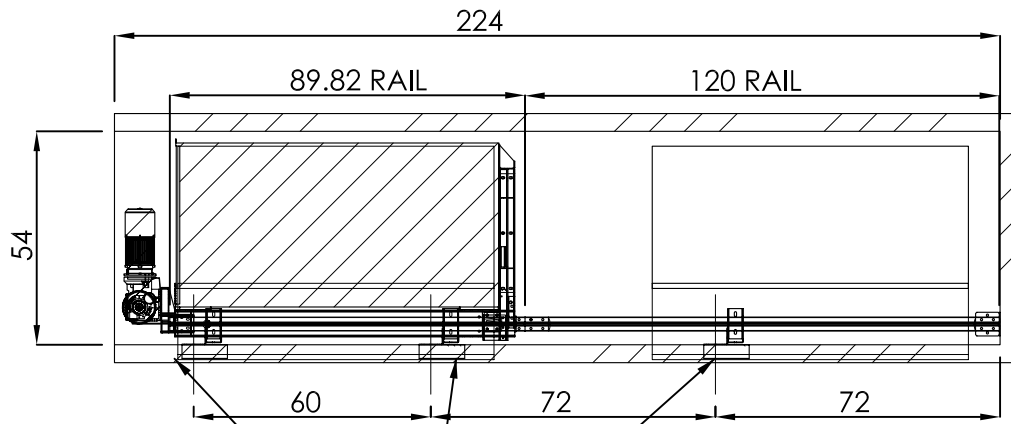
INTERLOCKS CONFORMING TO ASME A17.1
MUST BE INSTALLED AND ADJUSTED PER
THE MANUFACTURER'S INSTRUCTIONS.

**!FAILURE TO COMPLY
MAY RESULT IN SERIOUS
INJURY OR DEATH!**



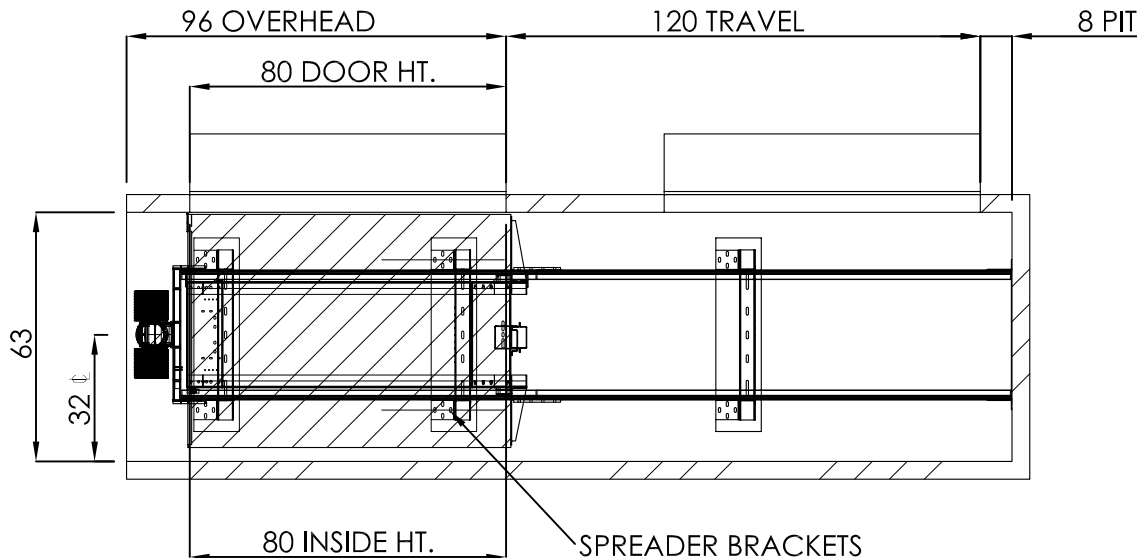
RAIL WEIGHT: 8 lbs/ft	
RAIL FORCES	
*R1(Fx)	1075 lbs
*R2(Fy)	358 lbs
R3(Fz)	2500 lbs

SIZE	 www.elevators.com	
A	P: 888-695-4387	E: info@elevators.com
PART NO. 40 X 54, 1R		
SHEET 1 OF 3		
DESCRIPTION: SWING DOORS, OVERHEAD DRUM		




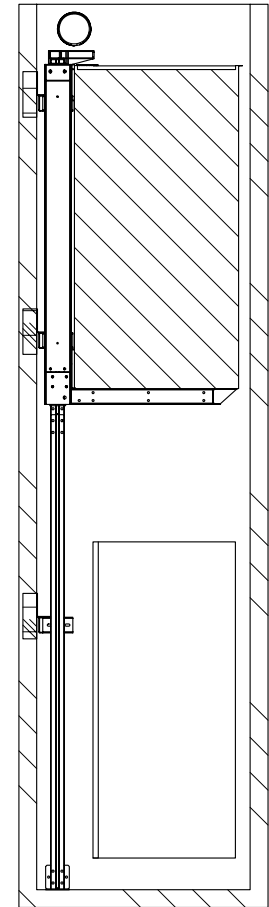
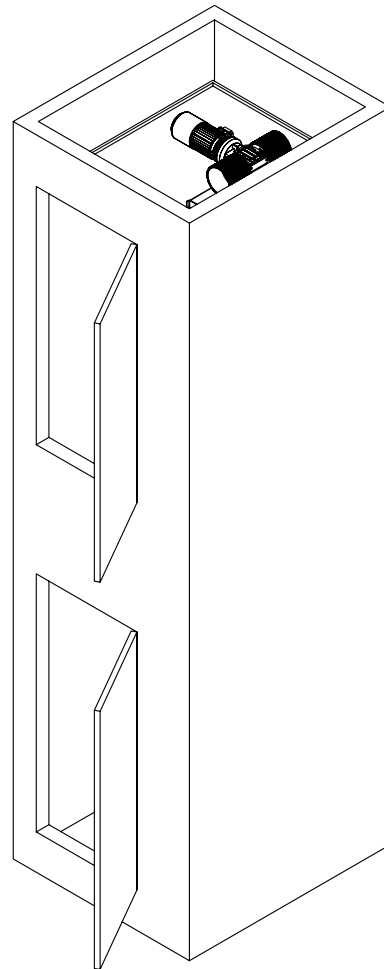
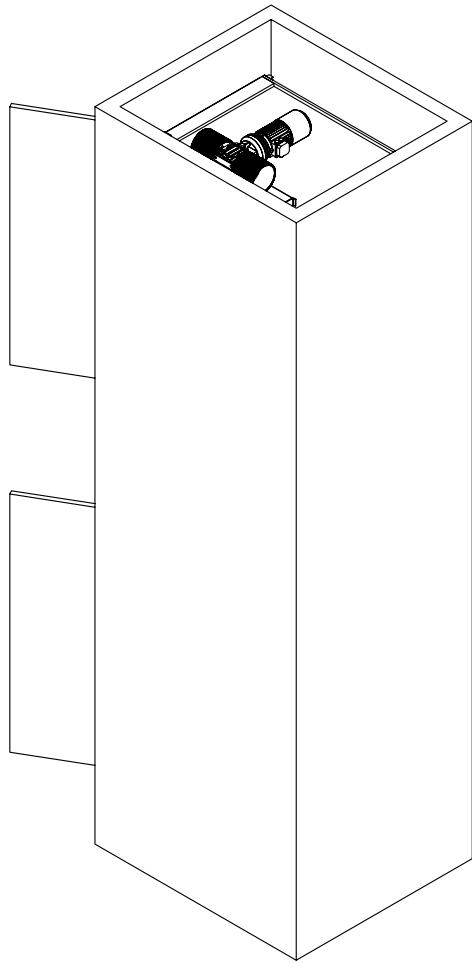
BRACKET LOCATIONS MAY VARY
ACORDING TO TRAVEL


PROVIDE WALL CONSTRUCTION
SUITABLE FOR ATTACHMENT OF
RAIL BRACKETS AT SHOWN ELEVATION.
MUST BE CAPABLE OF 300LB PULLOUT
LOADING WITH MAX DEFLECTION OF 1/8".



SPREADER BRACKETS
FASTEN WITH LAG SCREWS
2 PLACES PER SIDE BRACKET

SIZE	 www.elevators.com P: 888-695-4387 E: info@elevators.com
A	
PART NO.	
40 X 54, 1R	
SHEET 2 OF 3	
DESCRIPTION:	
SWING DOORS, OVERHEAD DRUM	



SIZE	 www.elevators.com P: 888-695-4387 E: info@elevators.com
A	
PART NO.	
40 X 54, 1R	
SHEET 3 OF 3	
DESCRIPTION:	
SWING DOORS, OVERHEAD DRUM	

5



4

3

2

1